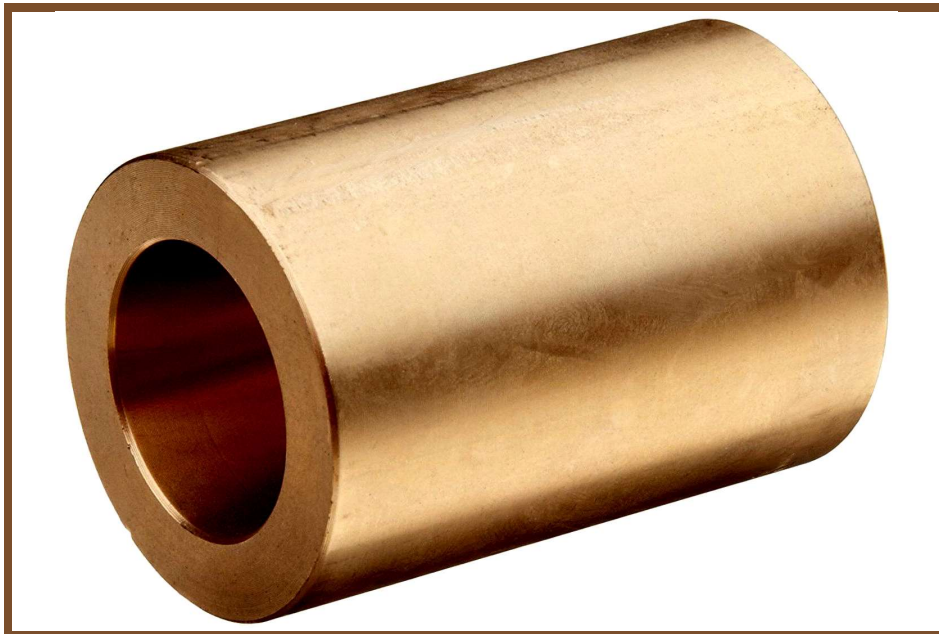


# MBA

# 2022.2

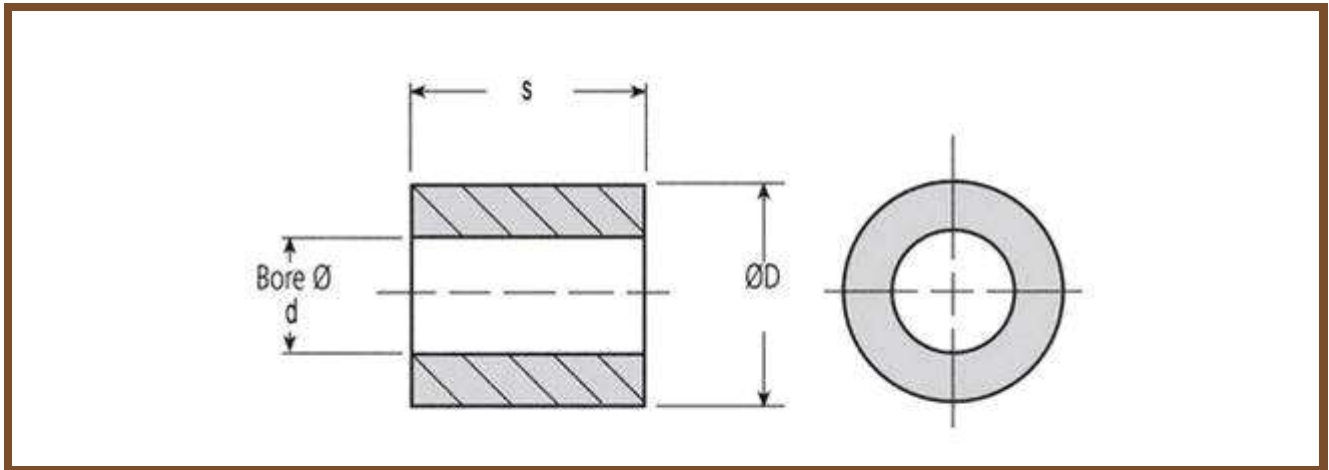
## Solid Bronze Bushes

Includes cross reference to Fraser/Flocast part numbers



To find and order parts online, simply type the part number from this catalogue into the search box on any web page.

## Diagram



Leaded Bronze - Continuous Cast  
Grades C83600 (LG2) and C93200.

### Material Composition (Approx.)

Tin: LG2 5%, C93200 7%

Zinc: LG2 5%, C93200 4%

Lead: LG2 5%, C93200 6%

Nickel: 2%

Copper: Balance

### Hardness

LG2: 60HB, C93200 70HB

Breaking Load: LG2 220N/mm<sup>2</sup>, C93200 270N/mm<sup>2</sup>

Elongation: 16%

Elastic Modulus: LG2 65-105 KN/mm<sup>2</sup>, C93200 98-115 KN/mm<sup>2</sup>

Elastic Limit: LG2 90N/mm<sup>2</sup>, C93200 120N/mm<sup>2</sup>

Tips shown at back of catalogue

ID (d)	OD (D)	Length (s)	Ref.	MBA Part Number	Comments
<b>4.762 x 7.938 mm</b> (0.187 x 0.313 in.)					
4.762 +/-0.0254	7.938 +0.051/+0.0762	12.700 +/-0.127	CB-0305-04	BP0048-0079-0127-BC9	
<b>6.350 x 9.525 mm</b> (0.250 x 0.375 in.)					
6.350 +/-0.0254	9.525 +0.051/+0.0762	6.350 +/-0.127		BP0064-0095-0064-BC9	
6.350 +/-0.0254	9.525 +0.051/+0.0762	9.525 +/-0.127		<b>BP0064-0095-0095-BC9</b>	
6.350 +/-0.0254	9.525 +0.051/+0.0762	12.700 +/-0.127		<b>BP0064-0095-0127-BC9</b>	
6.350 +/-0.0254	9.525 +0.051/+0.0762	19.050 +/-0.127		<b>BP0064-0095-0191-BC9</b>	
6.350 +/-0.0254	9.525 +0.051/+0.0762	25.400 +/-0.127		<b>BP0064-0095-0254-BC9</b>	
6.350 +/-0.0254	9.525 +0.051/+0.0762	31.750 +/-0.127		<b>BP0064-0095-0318-BC9</b>	
<b>6.350 x 11.113 mm</b> (0.250 x 0.438 in.)					
6.350 +/-0.0254	11.113 +0.051/+0.0762	19.050 +/-0.127		BP0064-0111-0191-BC9	
6.350 +/-0.0254	11.113 +0.051/+0.0762	25.400 +/-0.127		BP0064-0111-0254-BC9	
6.350 +/-0.0254	11.113 +0.051/+0.0762	31.750 +/-0.127		BP0064-0111-0318-BC9	
<b>7.938 x 11.113 mm</b> (0.313 x 0.438 in.)					
7.938 +/-0.0254	11.113 +0.051/+0.0762	9.525 +/-0.127		BP0079-0111-0095-BC9	
7.938 +/-0.0254	11.113 +0.051/+0.0762	12.700 +/-0.127		BP0079-0111-0127-BC9	
7.938 +/-0.0254	11.113 +0.051/+0.0762	19.050 +/-0.127	FB3	<b>BP0079-0111-0191-BLG</b>	Available While Stocks Last then Special Order
7.938 +/-0.0254	11.113 +0.051/+0.0762	25.400 +/-0.127	FB4	BP0079-0111-0254-BC9	Special Order
7.938 +/-0.0254	11.113 +0.051/+0.0762	31.750 +/-0.127		BP0079-0111-0318-BC9	
<b>7.938 x 12.700 mm</b> (0.313 x 0.500 in.)					
7.938 +/-0.0254	12.700 +0.051/+0.0762	19.050 +/-0.127		<b>BP0079-0127-0191-BC9</b>	
7.938 +/-0.0254	12.700 +0.051/+0.0762	25.400 +/-0.127		<b>BP0079-0127-0254-BC9</b>	
7.938 +/-0.0254	12.700 +0.051/+0.0762	31.750 +/-0.127		<b>BP0079-0127-0318-BC9</b>	
<b>8.000 x 10.000 mm</b> (0.315 x 0.394 in.)					
8.000 +/-0.0254	10.000 +0.051/+0.0762	10.000 +/-0.127	FB9000	BP0080-0100-0100-BC9	Special Order
8.000 +/-0.0254	10.000 +0.051/+0.0762	20.000 +/-0.127	FB9001	BP0080-0100-0200-BC9	Special Order
8.000 +/-0.0254	10.000 +0.051/+0.0762	30.000 +/-0.127	FB9002	<b>BP0080-0100-0300-BLG</b>	Available While Stocks Last then Special Order
8.000 +/-0.0254	10.000 +0.051/+0.0762	40.000 +/-0.127	FB9003	BP0080-0100-0400-BC9	Special Order
<b>8.000 x 12.000 mm</b> (0.315 x 0.472 in.)					
8.000 +/-0.0254	12.000 +0.051/+0.0762	10.000 +/-0.127	FB9010	BP0080-0120-0100-BC9	Special Order
8.000 +/-0.0254	12.000 +0.051/+0.0762	20.000 +/-0.127	FB9011	BP0080-0120-0200-BC9	Special Order
8.000 +/-0.0254	12.000 +0.051/+0.0762	30.000 +/-0.127	FB9012	BP0080-0120-0300-BC9	Special Order
8.000 +/-0.0254	12.000 +0.051/+0.0762	40.000 +/-0.127	FB9013	BP0080-0120-0400-BC9	Special Order
<b>9.000 x 12.000 mm</b> (0.354 x 0.472 in.)					
9.000 +/-0.0254	12.000 -0.002/-0.009	4.000 +/-0.127		<b>** BP0090-0120-0040-BLG</b>	Available While Stocks Last then Special Order



Stocked or Short Delivery



Usually Available



Long delivery or not in current production

\* Large Minimum Quantities

\*\* Available only while stock lasts

ID (d)	OD (D)	Length (s)	Ref.	MBA Part Number	Comments
<b>9.525 x 12.700 mm</b> (0.375 x 0.500 in.)					
9.525 +/-0.0254	12.700 +0.051/+0.0762	9.525 +/-0.127		BP0095-0127-0095-BC9	
9.525 +/-0.0254	12.700 +0.051/+0.0762	12.700 +/-0.127		<b>BP0095-0127-0127-BC9</b>	
9.525 +/-0.0254	12.700 +0.051/+0.0762	15.880 +/-0.127		* BP0095-0127-0159-BC9	Special Order
9.525 +/-0.0254	12.700 +0.051/+0.0762	19.050 +/-0.127	FB10	<b>BP0095-0127-0191-BC9</b>	
9.525 +/-0.0254	12.700 +0.051/+0.0762	25.400 +/-0.127	FB11	<b>BP0095-0127-0254-BC9</b>	
9.525 +/-0.0254	12.700 +0.051/+0.0762	31.750 +/-0.127		<b>BP0095-0127-0318-BC9</b>	
9.525 +/-0.0254	12.700 +0.051/+0.0762	38.100 +/-0.127	FB13	<b>BP0095-0127-0381-BC9</b>	
9.525 +/-0.0254	12.700 +0.051/+0.0762	50.800 +/-0.127	FB12	* BP0095-0127-0508-BC9	Special Order
<b>9.525 x 14.288 mm</b> (0.375 x 0.563 in.)					
9.525 +/-0.0254	14.288 +0.051/+0.0762	19.050 +/-0.127		BP0095-0143-0191-BC9	
9.525 +/-0.0254	14.288 +0.051/+0.0762	25.400 +/-0.127		<b>BP0095-0143-0254-BC9</b>	
9.525 +/-0.0254	14.288 +0.051/+0.0762	31.750 +/-0.127		BP0095-0143-0318-BC9	
<b>9.525 x 15.875 mm</b> (0.375 x 0.625 in.)					
9.525 +/-0.0254	15.875 +0.051/+0.0762	19.050 +/-0.127		<b>BP0095-0159-0191-BC9</b>	
9.525 +/-0.0254	15.875 +0.051/+0.0762	25.400 +/-0.127		<b>BP0095-0159-0254-BC9</b>	
9.525 +/-0.0254	15.875 +0.051/+0.0762	31.750 +/-0.127		BP0095-0159-0318-BC9	
9.525 +/-0.0254	15.875 +0.051/+0.0762	38.100 +/-0.127		BP0095-0159-0381-BC9	
<b>10.000 x 12.000 mm</b> (0.394 x 0.472 in.)					
10.000 +/-0.0254	12.000 +0.051/+0.0762	20.000 +/-0.127	FB9020	BP0100-0120-0200-BC9	Special Order
10.000 +/-0.0254	12.000 +0.051/+0.0762	30.000 +/-0.127	FB9021	BP0100-0120-0300-BC9	Special Order
10.000 +/-0.0254	12.000 +0.051/+0.0762	40.000 +/-0.127	FB9022	BP0100-0120-0400-BC9	Special Order
<b>10.000 x 16.000 mm</b> (0.394 x 0.630 in.)					
10.000 +/-0.0254	16.000 +0.051/+0.0762	20.000 +/-0.127	FB9030	BP0100-0160-0200-BC9	Special Order
10.000 +/-0.0254	16.000 +0.051/+0.0762	30.000 +/-0.127	FB9031	BP0100-0160-0300-BC9	Special Order
10.000 +/-0.0254	16.000 +0.051/+0.0762	40.000 +/-0.127	FB9032	BP0100-0160-0400-BC9	Special Order
10.000 +/-0.0254	16.000 +0.051/+0.0762	50.000 +/-0.127	FB9033	BP0100-0160-0500-BC9	Special Order
<b>11.113 x 14.288 mm</b> (0.438 x 0.563 in.)					
11.113 +/-0.0254	14.288 +0.051/+0.0762	19.050 +/-0.127	FB19	** <b>BP0111-0143-0191-BLG</b>	Available While Stocks Last then Special Order
11.113 +/-0.0254	14.288 +0.051/+0.0762	25.400 +/-0.127	FB20	<b>BP0111-0143-0254-BC9</b>	
11.113 +/-0.0254	14.288 +0.051/+0.0762	31.750 +/-0.127		BP0111-0143-0318-BC9	
11.113 +/-0.0254	14.288 +0.051/+0.0762	38.100 +/-0.127	FB22	BP0111-0143-0381-BC9	Special Order
11.113 +/-0.0254	14.288 +0.051/+0.0762	44.450 +/-0.127		BP0111-0143-0445-BC9	
11.113 +/-0.0254	14.288 +0.051/+0.0762	50.800 +/-0.127	FB25	BP0111-0143-0508-BC9	Special Order
<b>11.113 x 15.875 mm</b> (0.438 x 0.625 in.)					
11.113 +/-0.0254	15.875 +0.051/+0.0762	25.400 +/-0.127	FB36	BP0111-0159-0254-BC9	Special Order



Stocked or Short Delivery



Usually Available



Long delivery or not in current production

\* Large Minimum Quantities

\*\* Available only while stock lasts

ID (d)	OD (D)	Length (s)	Ref.	MBA Part Number	Comments
<b>11.113 x 15.875 mm</b> (0.438 x 0.625 in.)					
11.113	15.875	31.750		BP0111-0159-0318-BC9	
+/-0.0254	+0.051/+0.0762	+/-0.127			
11.113	15.875	38.100	FB27	BP0111-0159-0381-BC9	Special Order
+/-0.0254	+0.051/+0.0762	+/-0.127			
11.113	15.875	50.800	FB29	BP0111-0159-0508-BC9	Special Order
+/-0.0254	+0.051/+0.0762	+/-0.127			
<b>11.113 x 17.463 mm</b> (0.438 x 0.688 in.)					
11.113	17.463	25.400	FB39	* BP0111-0175-0254-BC9	Special Order
+/-0.0254	+0.051/+0.0762	+/-0.127			
11.113	17.463	38.100	FB30	BP0111-0175-0381-BC9	Special Order
+/-0.0254	+0.051/+0.0762	+/-0.127			
11.113	17.463	50.800	FB32	* BP0111-0175-0508-BC9	Special Order
+/-0.0254	+0.051/+0.0762	+/-0.127			
<b>11.113 x 19.050 mm</b> (0.438 x 0.750 in.)					
11.113	19.050	25.400		BP0111-0191-0254-BC9	
+/-0.0254	+0.051/+0.0762	+/-0.127			
11.113	19.050	31.750		BP0111-0191-0318-BC9	
+/-0.0254	+0.051/+0.0762	+/-0.127			
11.113	19.050	38.100		BP0111-0191-0381-BC9	
+/-0.0254	+0.051/+0.0762	+/-0.127			
<b>11.113 x 20.638 mm</b> (0.438 x 0.813 in.)					
11.113	20.638	38.100		BP0111-0206-0381-BC9	
+/-0.0254	+0.051/+0.0762	+/-0.127			
<b>12.000 x 16.000 mm</b> (0.472 x 0.630 in.)					
12.000	16.000	20.000	FB9040	BP0120-0160-0200-BC9	Special Order
+/-0.0254	+0.051/+0.0762	+/-0.127			
12.000	16.000	30.000	FB9041	BP0120-0160-0300-BC9	Special Order
+/-0.0254	+0.051/+0.0762	+/-0.127			
12.000	16.000	40.000	FB9042	BP0120-0160-0400-BC9	Special Order
+/-0.0254	+0.051/+0.0762	+/-0.127			
12.000	16.000	50.000	FB9043	BP0120-0160-0500-BC9	Special Order
+/-0.0254	+0.051/+0.0762	+/-0.127			
<b>12.000 x 20.000 mm</b> (0.472 x 0.787 in.)					
12.000	20.000	20.000		BP0120-0200-0200-BC9	Special Order
+/-0.0254	+0.051/+0.0762	+/-0.127			
12.000	20.000	30.000	FB9051	BP0120-0200-0300-BC9	Special Order
+/-0.0254	+0.051/+0.0762	+/-0.127			
12.000	20.000	40.000	FB9052	BP0120-0200-0400-BC9	Special Order
+/-0.0254	+0.051/+0.0762	+/-0.127			
12.000	20.000	50.000	FB9053	BP0120-0200-0500-BC9	Special Order
+/-0.0254	+0.051/+0.0762	+/-0.127			
<b>12.700 x 14.288 mm</b> (0.500 x 0.563 in.)					
12.700	14.288	38.100	FB100	* BP0127-0143-0381-BC9	Special Order
+/-0.0254	+0.051/+0.0762	+/-0.127			
<b>12.700 x 15.875 mm</b> (0.500 x 0.625 in.)					
12.700	15.875	12.700		BP0127-0159-0127-BC9	
+/-0.0254	+0.051/+0.0762	+/-0.127			
12.700	15.875	15.875		<b>BP0127-0159-0159-BC9</b>	
+/-0.0254	+0.051/+0.0762	+/-0.127			
12.700	15.875	19.050	FB101	<b>BP0127-0159-0191-BC9</b>	
+/-0.0254	+0.051/+0.0762	+/-0.127			
12.700	15.875	22.225		BP0127-0159-0222-BC9	
+/-0.0254	+0.051/+0.0762	+/-0.127			
12.700	15.875	25.400	FB102	<b>BP0127-0159-0254-BC9</b>	
+/-0.0254	+0.051/+0.0762	+/-0.127			
12.700	15.875	31.750	FB103	<b>BP0127-0159-0318-BC9</b>	
+/-0.0254	+0.051/+0.0762	+/-0.127			
12.700	15.875	34.925		BP0127-0159-0349-BC9	
+/-0.0254	+0.051/+0.0762	+/-0.127			
12.700	15.875	38.100	FB104	<b>BP0127-0159-0381-BC9</b>	
+/-0.0254	+0.051/+0.0762	+/-0.127			
12.700	15.875	44.450		BP0127-0159-0445-BC9	
+/-0.0254	+0.051/+0.0762	+/-0.127			



Stocked or Short Delivery



Usually Available



Long delivery or not in current production

\* Large Minimum Quantities

\*\* Available only while stock lasts

ID (d)	OD (D)	Length (s)	Ref.	MBA Part Number	Comments
<b>12.700 x 15.875 mm</b> (0.500 x 0.625 in.)					
12.700	15.875	50.800	FB106	BP0127-0159-0508-BC9	
+/-0.0254	+0.051/+0.0762	+/-0.127			
12.700	15.875	57.150		BP0127-0159-0572-BC9	
+/-0.0254	+0.051/+0.0762	+/-0.127			
<b>12.700 x 17.463 mm</b> (0.500 x 0.688 in.)					
12.700	17.463	19.050		BP0127-0175-0191-BC9	
+/-0.0254	+0.051/+0.0762	+/-0.127			
12.700	17.463	25.400	FB107	BP0127-0175-0254-BC9	Special Order
+/-0.0254	+0.051/+0.0762	+/-0.127			
12.700	17.463	31.750		BP0127-0175-0318-BC9	
+/-0.0254	+0.051/+0.0762	+/-0.127			
12.700	17.463	38.100	FB110	BP0127-0175-0381-BC9	Special Order
+/-0.0254	+0.051/+0.0762	+/-0.127			
12.700	17.463	44.450		BP0127-0175-0445-BC9	
+/-0.0254	+0.051/+0.0762	+/-0.127			
12.700	17.463	50.800	FB112	BP0127-0175-0508-BC9	Special Order
+/-0.0254	+0.051/+0.0762	+/-0.127			
12.700	17.463	57.150		BP0127-0175-0572-BC9	
+/-0.0254	+0.051/+0.0762	+/-0.127			
12.700	17.463	63.500		BP0127-0175-0635-BC9	
+/-0.0254	+0.051/+0.0762	+/-0.127			
<b>12.700 x 19.050 mm</b> (0.500 x 0.750 in.)					
12.700	19.050	19.050	FB99	BP0127-0191-0191-BC9	
+/-0.0254	+0.051/+0.0762	+/-0.127			
12.700	19.050	25.400	FB113	BP0127-0191-0254-BC9	
+/-0.0254	+0.051/+0.0762	+/-0.127			
12.700	19.050	31.750		BP0127-0191-0318-BC9	
+/-0.0254	+0.051/+0.0762	+/-0.127			
12.700	19.050	38.100	FB115	BP0127-0191-0381-BC9	
+/-0.0254	+0.051/+0.0762	+/-0.127			
12.700	19.050	44.450	FB116	BP0127-0191-0445-BC9	Special Order
+/-0.0254	+0.051/+0.0762	+/-0.127			
12.700	19.050	50.800	FB117	BP0127-0191-0508-BC9	
+/-0.0254	+0.051/+0.0762	+/-0.127			
12.700	19.050	57.150		BP0127-0191-0572-BC9	
+/-0.0254	+0.051/+0.0762	+/-0.127			
12.700	19.050	63.500	FB119	BP0127-0191-0635-BC9	Special Order
+/-0.0254	+0.051/+0.0762	+/-0.127			
12.700	19.050	69.850		BP0127-0191-0699-BC9	
+/-0.0254	+0.051/+0.0762	+/-0.127			
<b>12.700 x 22.225 mm</b> (0.500 x 0.875 in.)					
12.700	22.225	25.400		BP0127-0222-0254-BC9	
+/-0.0254	+0.051/+0.0762	+/-0.127			
12.700	22.225	31.750		BP0127-0222-0318-BC9	
+/-0.0254	+0.051/+0.0762	+/-0.127			
12.700	22.225	38.100	FB120	BP0127-0222-0381-BC9	Special Order
+/-0.0254	+0.051/+0.0762	+/-0.127			
12.700	22.225	44.450		BP0127-0222-0445-BC9	
+/-0.0254	+0.051/+0.0762	+/-0.127			
12.700	22.225	50.800	FB121	BP0127-0222-0508-BC9	Special Order
+/-0.0254	+0.051/+0.0762	+/-0.127			
<b>12.700 x 25.400 mm</b> (0.500 x 1.000 in.)					
12.700	25.400	25.400		BP0127-0254-0254-BC9	
+/-0.0254	+0.051/+0.0762	+/-0.127			
12.700	25.400	38.100		BP0127-0254-0381-BC9	
+/-0.0254	+0.051/+0.0762	+/-0.127			
12.700	25.400	50.800	FB122	BP0127-0254-0508-BC9	Special Order
+/-0.0254	+0.051/+0.0762	+/-0.127			
12.700	25.400	57.150		BP0127-0254-0572-BC9	
+/-0.0254	+0.051/+0.0762	+/-0.127			
<b>14.288 x 17.463 mm</b> (0.563 x 0.688 in.)					
14.288	17.463	25.400	FB200	BP0143-0175-0254-BC9	Special Order
+/-0.0254	+0.051/+0.0762	+/-0.127			
14.288	17.463	31.750		BP0143-0175-0318-BC9	
+/-0.0254	+0.051/+0.0762	+/-0.127			



Stocked or Short Delivery



Usually Available



Long delivery or not in current production

\* Large Minimum Quantities

\*\* Available only while stock lasts

ID (d)	OD (D)	Length (s)	Ref.	MBA Part Number	Comments
<b>14.288 x 17.463 mm</b> (0.563 x 0.688 in.)					
14.288 +/-0.0254	17.463 +0.051/+0.0762	38.100 +/-0.127	FB203	BP0143-0175-0381-BC9	Special Order
14.288 +/-0.0254	17.463 +0.051/+0.0762	44.450 +/-0.127	FB206	BP0143-0175-0445-BC9	Special Order
14.288 +/-0.0254	17.463 +0.051/+0.0762	50.800 +/-0.127	FB207	BP0143-0175-0508-BC9	Special Order
14.288 +/-0.0254	17.463 +0.051/+0.0762	57.150 +/-0.127		BP0143-0175-0572-BC9	
14.288 +/-0.0254	17.463 +0.051/+0.0762	63.500 +/-0.127		BP0143-0175-0635-BC9	
<b>14.288 x 19.050 mm</b> (0.563 x 0.750 in.)					
14.288 +/-0.0254	19.050 +0.051/+0.0762	25.400 +/-0.127	FB210	BP0143-0191-0254-BC9	Special Order
14.288 +/-0.0254	19.050 +0.051/+0.0762	31.750 +/-0.127		<b>BP0143-0191-0318-BC9</b>	
14.288 +/-0.0254	19.050 +0.051/+0.0762	38.100 +/-0.127	FB214	BP0143-0191-0381-BC9	Special Order
14.288 +/-0.0254	19.050 +0.051/+0.0762	44.450 +/-0.127	FB216	BP0143-0191-0445-BC9	Special Order
14.288 +/-0.0254	19.050 +0.051/+0.0762	50.800 +/-0.127	FB217	BP0143-0191-0508-BC9	Special Order
14.288 +/-0.0254	19.050 +0.051/+0.0762	57.150 +/-0.127	FB212	BP0143-0191-0572-BC9	Special Order
14.288 +/-0.0254	19.050 +0.051/+0.0762	63.500 +/-0.127	FB220	BP0143-0191-0635-BC9	Special Order
<b>14.288 x 20.638 mm</b> (0.563 x 0.813 in.)					
14.288 +/-0.0254	20.638 +0.051/+0.0762	25.400 +/-0.127	FB236	BP0143-0206-0254-BC9	Special Order
14.288 +/-0.0254	20.638 +0.051/+0.0762	31.750 +/-0.127		BP0143-0206-0318-BC9	
14.288 +/-0.0254	20.638 +0.051/+0.0762	38.100 +/-0.127	FB222	BP0143-0206-0381-BC9	Special Order
14.288 +/-0.0254	20.638 +0.051/+0.0762	44.450 +/-0.127		BP0143-0206-0445-BC9	
14.288 +/-0.0254	20.638 +0.051/+0.0762	50.800 +/-0.127	FB224	BP0143-0206-0508-BC9	Special Order
14.288 +/-0.0254	20.638 +0.051/+0.0762	63.500 +/-0.127		BP0143-0206-0635-BC9	
<b>14.288 x 22.225 mm</b> (0.563 x 0.875 in.)					
14.288 +/-0.0254	22.225 +0.051/+0.0762	25.400 +/-0.127	FB237	BP0143-0222-0254-BC9	Special Order
14.288 +/-0.0254	22.225 +0.051/+0.0762	38.100 +/-0.127	FB227	BP0143-0222-0381-BC9	Special Order
14.288 +/-0.0254	22.225 +0.051/+0.0762	44.450 +/-0.127	FB228	* BP0143-0222-0445-BC9	Special Order
14.288 +/-0.0254	22.225 +0.051/+0.0762	50.800 +/-0.127		BP0143-0222-0508-BC9	
<b>14.288 x 25.400 mm</b> (0.563 x 1.000 in.)					
14.288 +/-0.0254	25.400 +0.051/+0.0762	38.100 +/-0.127	FB231	* BP0143-0254-0381-BC9	Special Order
14.288 +/-0.0254	25.400 +0.051/+0.0762	50.800 +/-0.127	FB232	* BP0143-0254-0508-BC9	Special Order
<b>15.875 x 17.463 mm</b> (0.625 x 0.688 in.)					
15.875 +/-0.0254	17.463 +0.051/+0.0762	38.100 +/-0.127	FB301	* BP0159-0175-0381-BC9	Special Order
15.875 +/-0.0254	17.463 +0.051/+0.0762	50.800 +/-0.127	FB302	* BP0159-0175-0508-BC9	Special Order
<b>15.875 x 19.050 mm</b> (0.625 x 0.750 in.)					
15.875 +/-0.0254	19.050 +0.051/+0.0762	12.700 +/-0.127		<b>BP0159-0191-0127-BC9</b>	
15.875 +/-0.0254	19.050 +0.051/+0.0762	19.050 +/-0.127	FB303	<b>BP0159-0191-0191-BC9</b>	
15.875 +/-0.0254	19.050 +0.051/+0.0762	25.400 +/-0.127	FB304	<b>BP0159-0191-0254-BC9</b>	



Stocked or Short Delivery



Usually Available



Long delivery or not in current production

\* Large Minimum Quantities

\*\* Available only while stock lasts

ID (d)	OD (D)	Length (s)	Ref.	MBA Part Number	Comments
<b>15.875 x 19.050 mm</b>		<i>(0.625 x 0.750 in.)</i>			
15.875 +/-0.0254	19.050 +0.051/+0.0762	28.575 +/-0.127		BP0159-0191-0286-BC9	
15.875 +/-0.0254	19.050 +0.051/+0.0762	31.750 +/-0.127	FB305	<b>BP0159-0191-0318-BC9</b>	
15.875 +/-0.0254	19.050 +0.051/+0.0762	38.100 +/-0.127	FB307	<b>BP0159-0191-0381-BC9</b>	
15.875 +/-0.0254	19.050 +0.051/+0.0762	44.450 +/-0.127	FB308	<b>BP0159-0191-0445-BC9</b>	
15.875 +/-0.0254	19.050 +0.051/+0.0762	50.800 +/-0.127	FB309	<b>BP0159-0191-0508-BC9</b>	
15.875 +/-0.0254	19.050 +0.051/+0.0762	57.150 +/-0.127	FB310	BP0159-0191-0572-BC9	Special Order
15.875 +/-0.0254	19.050 +0.051/+0.0762	63.500 +/-0.127	FB311	BP0159-0191-0635-BC9	Special Order
15.875 +/-0.0254	19.050 +0.051/+0.0762	76.200 +/-0.127	FB312	BP0159-0191-0762-BC9	Special Order
<b>15.875 x 20.638 mm</b>		<i>(0.625 x 0.813 in.)</i>			
15.875 +/-0.0254	20.638 +0.051/+0.0762	25.400 +/-0.127	FB313	<b>BP0159-0206-0254-BC9</b>	
15.875 +/-0.0254	20.638 +0.051/+0.0762	31.750 +/-0.127		BP0159-0206-0318-BC9	
15.875 +/-0.0254	20.638 +0.051/+0.0762	38.100 +/-0.127	FB315	* BP0159-0206-0381-BC9	Special Order
15.875 +/-0.0254	20.638 +0.051/+0.0762	44.450 +/-0.127		BP0159-0206-0445-BC9	
15.875 +/-0.0254	20.638 +0.051/+0.0762	50.800 +/-0.127	FB317	<b>** BP0159-0206-0508-BLG</b>	Available While Stocks Last then Special Order
15.875 +/-0.0254	20.638 +0.051/+0.0762	57.150 +/-0.127		BP0159-0206-0572-BC9	
15.875 +/-0.0254	20.638 +0.051/+0.0762	63.500 +/-0.127	FB319	* BP0159-0206-0635-BC9	Special Order
<b>15.875 x 22.225 mm</b>		<i>(0.625 x 0.875 in.)</i>			
15.875 +/-0.0254	22.225 +0.051/+0.0762	12.700 +/-0.127		BP0159-0222-0127-BC9	
15.875 +/-0.0254	22.225 +0.051/+0.0762	19.050 +/-0.127	FB321	<b>BP0159-0222-0191-BC9</b>	
15.875 +/-0.0254	22.225 +0.051/+0.0762	25.400 +/-0.127	FB322	<b>BP0159-0222-0254-BC9</b>	
15.875 +/-0.0254	22.225 +0.051/+0.0762	28.575 +/-0.127		BP0159-0222-0286-BC9	
15.875 +/-0.0254	22.225 +0.051/+0.0762	31.750 +/-0.127	FB324	* BP0159-0222-0318-BC9	Special Order
15.875 +/-0.0254	22.225 +0.051/+0.0762	38.100 +/-0.127	FB325	* BP0159-0222-0381-BC9	Special Order
15.875 +/-0.0254	22.225 +0.051/+0.0762	44.450 +/-0.127	FB326	* BP0159-0222-0445-BC9	Special Order
15.875 +/-0.0254	22.225 +0.051/+0.0762	50.800 +/-0.127	FB328	* BP0159-0222-0508-BC9	Special Order
15.875 +/-0.0254	22.225 +0.051/+0.0762	57.150 +/-0.127	FB329	* BP0159-0222-0572-BC9	Special Order
15.875 +/-0.0254	22.225 +0.051/+0.0762	63.500 +/-0.127	FB330	* BP0159-0222-0635-BC9	Special Order
15.875 +/-0.0254	22.225 +0.051/+0.0762	76.200 +/-0.127	FB331	* BP0159-0222-0762-BC9	Special Order
<b>15.875 x 23.813 mm</b>		<i>(0.625 x 0.938 in.)</i>			
15.875 +/-0.0254	23.813 +0.051/+0.0762	25.400 +/-0.127		BP0159-0238-0254-BC9	
15.875 +/-0.0254	23.813 +0.051/+0.0762	38.100 +/-0.127		BP0159-0238-0381-BC9	
15.875 +/-0.0254	23.813 +0.051/+0.0762	50.800 +/-0.127		BP0159-0238-0508-BC9	
15.875 +/-0.0254	23.813 +0.051/+0.0762	63.500 +/-0.127		BP0159-0238-0635-BC9	
<b>15.875 x 25.400 mm</b>		<i>(0.625 x 1.000 in.)</i>			
15.875 +/-0.0254	25.400 +0.051/+0.0762	25.400 +/-0.127		<b>BP0159-0254-0254-BC9</b>	



Stocked or Short Delivery



Usually Available



Long delivery or not in current production

\* Large Minimum Quantities

\*\* Available only while stock lasts



ID (d)	OD (D)	Length (s)	Ref.	MBA Part Number	Comments
<b>15.875 x 25.400 mm</b>		<i>(0.625 x 1.000 in.)</i>			
15.875	25.400	31.750	FB334	** BP0159-0254-0318-BLG	Available While Stocks Last then Special Order
+/-0.0254	+0.051/+0.0762	+/-0.127			
15.875	25.400	50.800	FB335	BP0159-0254-0508-BC9	
+/-0.0254	+0.051/+0.0762	+/-0.127			
15.875	25.400	57.150		BP0159-0254-0572-BC9	
+/-0.0254	+0.051/+0.0762	+/-0.127			
15.875	25.400	63.500	FB337	* BP0159-0254-0635-BC9	Special Order
+/-0.0254	+0.051/+0.0762	+/-0.127			
15.875	25.400	76.200		BP0159-0254-0762-BC9	
+/-0.0254	+0.051/+0.0762	+/-0.127			
<b>15.875 x 28.575 mm</b>		<i>(0.625 x 1.125 in.)</i>			
15.875	28.575	38.100		BP0159-0286-0381-BC9	
+/-0.0254	+0.051/+0.0762	+/-0.127			
15.875	28.575	50.800		BP0159-0286-0508-BC9	
+/-0.0254	+0.051/+0.0762	+/-0.127			
15.875	28.575	57.150		BP0159-0286-0572-BC9	
+/-0.0254	+0.051/+0.0762	+/-0.127			
15.875	28.575	76.200		BP0159-0286-0762-BC9	
+/-0.0254	+0.051/+0.0762	+/-0.127			
<b>16.000 x 20.000 mm</b>		<i>(0.630 x 0.787 in.)</i>			
16.000	20.000	20.000	FB9060	BP0160-0200-0200-BC9	
+/-0.0254	+0.051/+0.0762	+/-0.127			
16.000	20.000	30.000	FB9061	BP0160-0200-0300-BC9	
+/-0.0254	+0.051/+0.0762	+/-0.127			
16.000	20.000	40.000	FB9062	* BP0160-0200-0400-BC9	Special Order
+/-0.0254	+0.051/+0.0762	+/-0.127			
16.000	20.000	50.000	FB9063	* BP0160-0200-0500-BC9	Special Order
+/-0.0254	+0.051/+0.0762	+/-0.127			
16.000	20.000	60.000	FB9064	* BP0160-0200-0600-BC9	Special Order
+/-0.0254	+0.051/+0.0762	+/-0.127			
<b>16.000 x 24.000 mm</b>		<i>(0.630 x 0.945 in.)</i>			
16.000	24.000	30.000	FB9070	* BP0160-0240-0300-BC9	Special Order
+/-0.0254	+0.051/+0.0762	+/-0.127			
16.000	24.000	50.000	FB9072	* BP0160-0240-0500-BC9	Special Order
+/-0.0254	+0.051/+0.0762	+/-0.127			
16.000	24.000	60.000	FB9073	* BP0160-0240-0600-BC9	Special Order
+/-0.0254	+0.051/+0.0762	+/-0.127			
16.000	24.000	80.000	FB9074	* BP0160-0240-0800-BC9	Special Order
+/-0.0254	+0.051/+0.0762	+/-0.127			
<b>17.463 x 20.638 mm</b>		<i>(0.688 x 0.813 in.)</i>			
17.463	20.638	25.400	FB400	* BP0175-0206-0254-BC9	Special Order
+/-0.0254	+0.051/+0.0762	+/-0.127			
17.463	20.638	31.750		BP0175-0206-0318-BC9	
+/-0.0254	+0.051/+0.0762	+/-0.127			
17.463	20.638	38.100	FB401	** BP0175-0206-0381-BLG	Available While Stocks Last then Special Order
+/-0.0254	+0.051/+0.0762	+/-0.127			
17.463	20.638	44.450		BP0175-0206-0445-BC9	
+/-0.0254	+0.051/+0.0762	+/-0.127			
17.463	20.638	50.800	FB403	* BP0175-0206-0508-BC9	Special Order
+/-0.0254	+0.051/+0.0762	+/-0.127			
17.463	20.638	63.500		BP0175-0206-0635-BC9	
+/-0.0254	+0.051/+0.0762	+/-0.127			
<b>17.463 x 22.225 mm</b>		<i>(0.688 x 0.875 in.)</i>			
17.463	22.225	25.400	FB406	* BP0175-0222-0254-BC9	Special Order
+/-0.0254	+0.051/+0.0762	+/-0.127			
17.463	22.225	31.750		BP0175-0222-0318-BC9	
+/-0.0254	+0.051/+0.0762	+/-0.127			
17.463	22.225	38.100		BP0175-0222-0381-BC9	
+/-0.0254	+0.051/+0.0762	+/-0.127			
17.463	22.225	44.450		BP0175-0222-0445-BC9	
+/-0.0254	+0.051/+0.0762	+/-0.127			
17.463	22.225	50.800	FB409	* BP0175-0222-0508-BC9	Special Order
+/-0.0254	+0.051/+0.0762	+/-0.127			
17.463	22.225	57.150		BP0175-0222-0572-BC9	
+/-0.0254	+0.051/+0.0762	+/-0.127			



Stocked or Short Delivery



Usually Available



Long delivery or not in current production

\* Large Minimum Quantities

\*\* Available only while stock lasts

ID (d)	OD (D)	Length (s)	Ref.	MBA Part Number	Comments
<b>17.463 x 22.225 mm</b>		<i>(0.688 x 0.875 in.)</i>			
17.463	22.225	63.500		BP0175-0222-0635-BC9	
+/-0.0254	+0.051/+0.0762	+/-0.127			
<b>17.463 x 23.813 mm</b>		<i>(0.688 x 0.938 in.)</i>			
17.463	23.813	25.400	FB412	* BP0175-0238-0254-BC9	Special Order
+/-0.0254	+0.051/+0.0762	+/-0.127			
17.463	23.813	31.750		BP0175-0238-0318-BC9	
+/-0.0254	+0.051/+0.0762	+/-0.127			
17.463	23.813	38.100	FB413	* BP0175-0238-0381-BC9	Special Order
+/-0.0254	+0.051/+0.0762	+/-0.127			
17.463	23.813	44.450		BP0175-0238-0445-BC9	
+/-0.0254	+0.051/+0.0762	+/-0.127			
17.463	23.813	50.800	FB415	* BP0175-0238-0508-BC9	Special Order
+/-0.0254	+0.051/+0.0762	+/-0.127			
17.463	23.813	63.500		BP0175-0238-0635-BC9	
+/-0.0254	+0.051/+0.0762	+/-0.127			
<b>17.463 x 25.400 mm</b>		<i>(0.688 x 1.000 in.)</i>			
17.463	25.400	31.750		BP0175-0254-0318-BC9	
+/-0.0254	+0.051/+0.0762	+/-0.127			
17.463	25.400	50.800	FB418	* BP0175-0254-0508-BC9	Special Order
+/-0.0254	+0.051/+0.0762	+/-0.127			
17.463	25.400	57.150		BP0175-0254-0572-BC9	
+/-0.0254	+0.051/+0.0762	+/-0.127			
17.463	25.400	63.500		BP0175-0254-0635-BC9	
+/-0.0254	+0.051/+0.0762	+/-0.127			
<b>19.050 x 20.638 mm</b>		<i>(0.750 x 0.813 in.)</i>			
19.050	20.638	38.100	FB500	* BP0191-0206-0381-BC9	Special Order
+/-0.0254	+0.051/+0.0762	+/-0.127			
<b>19.050 x 22.225 mm</b>		<i>(0.750 x 0.875 in.)</i>			
19.050	22.225	19.050	FB501	<b>BP0191-0222-0191-BC9</b>	
+/-0.0254	+0.051/+0.0762	+/-0.127			
19.050	22.225	25.400	FB502	<b>BP0191-0222-0254-BC9</b>	
+/-0.0254	+0.051/+0.0762	+/-0.127			
19.050	22.225	31.750	FB504	<b>BP0191-0222-0318-BC9</b>	
+/-0.0254	+0.051/+0.0762	+/-0.127			
19.050	22.225	38.100	FB505	<b>BP0191-0222-0381-BC9</b>	
+/-0.0254	+0.051/+0.0762	+/-0.127			
19.050	22.225	44.450		BP0191-0222-0445-BC9	
+/-0.0254	+0.051/+0.0762	+/-0.127			
19.050	22.225	50.800	FB507	* BP0191-0222-0508-BC9	Special Order
+/-0.0254	+0.051/+0.0762	+/-0.127			
19.050	22.225	57.150		BP0191-0222-0572-BC9	
+/-0.0254	+0.051/+0.0762	+/-0.127			
19.050	22.225	63.500	FB510	* BP0191-0222-0635-BC9	Special Order
+/-0.0254	+0.051/+0.0762	+/-0.127			
<b>19.050 x 23.813 mm</b>		<i>(0.750 x 0.938 in.)</i>			
19.050	23.813	25.400	FB511	* BP0191-0238-0254-BC9	Special Order
+/-0.0254	+0.051/+0.0762	+/-0.127			
19.050	23.813	31.750		BP0191-0238-0318-BC9	
+/-0.0254	+0.051/+0.0762	+/-0.127			
19.050	23.813	34.925		BP0191-0238-0349-BC9	
+/-0.0254	+0.051/+0.0762	+/-0.127			
19.050	23.813	38.100	FB515	* BP0191-0238-0381-BC9	Special Order
+/-0.0254	+0.051/+0.0762	+/-0.127			
19.050	23.813	44.450		BP0191-0238-0445-BC9	
+/-0.0254	+0.051/+0.0762	+/-0.127			
19.050	23.813	50.800	FB518	* BP0191-0238-0508-BC9	Special Order
+/-0.0254	+0.051/+0.0762	+/-0.127			
19.050	23.813	57.150	FB519	* BP0191-0238-0572-BC9	Special Order
+/-0.0254	+0.051/+0.0762	+/-0.127			
19.050	23.813	63.500	FB520	* BP0191-0238-0635-BC9	Special Order
+/-0.0254	+0.051/+0.0762	+/-0.127			
19.050	23.813	69.850		BP0191-0238-0699-BC9	
+/-0.0254	+0.051/+0.0762	+/-0.127			
19.050	23.813	76.200		BP0191-0238-0762-BC9	
+/-0.0254	+0.051/+0.0762	+/-0.127			



Stocked or Short Delivery



Usually Available



Long delivery or not in current production

\* Large Minimum Quantities

\*\* Available only while stock lasts

ID (d)	OD (D)	Length (s)	Ref.	MBA Part Number	Comments
<b>19.050 x 25.400 mm</b>		<i>(0.750 x 1.000 in.)</i>			
19.050	25.400	12.700		BP0191-0254-0127-BC9	
+/-0.0254	+0.051/+0.0762	+/-0.127			
19.050	25.400	19.050	FB490	<b>BP0191-0254-0191-BC9</b>	
+/-0.0254	+0.051/+0.0762	+/-0.127			
19.050	25.400	22.225		BP0191-0254-0222-BC9	
+/-0.0254	+0.051/+0.0762	+/-0.127			
19.050	25.400	25.400	FB522	<b>BP0191-0254-0254-BC9</b>	
+/-0.0254	+0.051/+0.0762	+/-0.127			
19.050	25.400	28.575		<b>BP0191-0254-0286-BC9</b>	
+/-0.0254	+0.051/+0.0762	+/-0.127			
19.050	25.400	31.750	FB523	<b>BP0191-0254-0318-BC9</b>	
+/-0.0254	+0.051/+0.0762	+/-0.127			
19.050	25.400	34.925		BP0191-0254-0349-BC9	
+/-0.0254	+0.051/+0.0762	+/-0.127			
19.050	25.400	38.100	FB524	<b>BP0191-0254-0381-BC9</b>	
+/-0.0254	+0.051/+0.0762	+/-0.127			
19.050	25.400	44.450	FB525	* BP0191-0254-0445-BC9	Special Order
+/-0.0254	+0.051/+0.0762	+/-0.127			
19.050	25.400	47.625		BP0191-0254-0476-BC9	
+/-0.0254	+0.051/+0.0762	+/-0.127			
19.050	25.400	50.800	FB526	<b>BP0191-0254-0508-BC9</b>	
+/-0.0254	+0.051/+0.0762	+/-0.127			
19.050	25.400	53.975		BP0191-0254-0540-BC9	
+/-0.0254	+0.051/+0.0762	+/-0.127			
19.050	25.400	57.150	FB528	<b>BP0191-0254-0572-BC9</b>	
+/-0.0254	+0.051/+0.0762	+/-0.127			
19.050	25.400	63.500	FB529	* BP0191-0254-0635-BC9	Special Order
+/-0.0254	+0.051/+0.0762	+/-0.127			
19.050	25.400	69.850		BP0191-0254-0699-BC9	
+/-0.0254	+0.051/+0.0762	+/-0.127			
19.050	25.400	76.200	FB530	* BP0191-0254-0762-BC9	Special Order
+/-0.0254	+0.051/+0.0762	+/-0.127			
19.050	25.400	88.900		BP0191-0254-0889-BC9	
+/-0.0254	+0.051/+0.0762	+/-0.127			
<b>19.050 x 26.988 mm</b>		<i>(0.750 x 1.063 in.)</i>			
19.050	26.988	25.400		BP0191-0270-0254-BC9	
+/-0.0254	+0.051/+0.0762	+/-0.127			
19.050	26.988	38.100		BP0191-0270-0381-BC9	
+/-0.0254	+0.051/+0.0762	+/-0.127			
19.050	26.988	50.800	FB531	* BP0191-0270-0508-BC9	Special Order
+/-0.0254	+0.051/+0.0762	+/-0.127			
19.050	26.988	57.150		BP0191-0270-0572-BC9	
+/-0.0254	+0.051/+0.0762	+/-0.127			
19.050	26.988	63.500	FB532	* BP0191-0270-0635-BC9	Special Order
+/-0.0254	+0.051/+0.0762	+/-0.127			
19.050	26.988	76.200		BP0191-0270-0762-BC9	
+/-0.0254	+0.051/+0.0762	+/-0.127			
<b>19.050 x 28.575 mm</b>		<i>(0.750 x 1.125 in.)</i>			
19.050	28.575	25.400		BP0191-0286-0254-BC9	
+/-0.0254	+0.051/+0.0762	+/-0.127			
19.050	28.575	38.100	FB533	<b>BP0191-0286-0381-BC9</b>	
+/-0.0254	+0.051/+0.0762	+/-0.127			
19.050	28.575	50.800	FB534	* BP0191-0286-0508-BC9	Special Order
+/-0.0254	+0.051/+0.0762	+/-0.127			
19.050	28.575	57.150		BP0191-0286-0572-BC9	
+/-0.0254	+0.051/+0.0762	+/-0.127			
19.050	28.575	63.500	FB536	* BP0191-0286-0635-BC9	Special Order
+/-0.0254	+0.051/+0.0762	+/-0.127			
19.050	28.575	76.200	FB537	* BP0191-0286-0762-BC9	Special Order
+/-0.0254	+0.051/+0.0762	+/-0.127			
<b>19.050 x 30.163 mm</b>		<i>(0.750 x 1.188 in.)</i>			
19.050	30.163	38.100		BP0191-0302-0381-BC9	
+/-0.0254	+0.051/+0.0762	+/-0.127			
19.050	30.163	50.800		BP0191-0302-0508-BC9	
+/-0.0254	+0.051/+0.0762	+/-0.127			



Stocked or Short Delivery



Usually Available



Long delivery or not in current production

\* Large Minimum Quantities

\*\* Available only while stock lasts

ID (d)	OD (D)	Length (s)	Ref.	MBA Part Number	Comments
<b>19.050 x 31.750 mm</b> (0.750 x 1.250 in.)					
19.050	31.750	44.450		BP0191-0318-0445-BC9	
+/-0.0254	+0.051/+0.0762	+/-0.127			
19.050	31.750	50.800		BP0191-0318-0508-BC9	
+/-0.0254	+0.051/+0.0762	+/-0.127			
19.050	31.750	57.150		BP0191-0318-0572-BC9	
+/-0.0254	+0.051/+0.0762	+/-0.127			
19.050	31.750	63.500	FB538	* BP0191-0318-0635-BC9	Special Order
+/-0.0254	+0.051/+0.0762	+/-0.127			
19.050	31.750	76.200		BP0191-0318-0762-BC9	
+/-0.0254	+0.051/+0.0762	+/-0.127			
<b>20.000 x 24.000 mm</b> (0.787 x 0.945 in.)					
20.000	24.000	30.000	FB9080	* BP0200-0240-0300-BC9	Special Order
+/-0.0254	+0.051/+0.0762	+/-0.127			
20.000	24.000	40.000	FB9081	* BP0200-0240-0400-BC9	Special Order
+/-0.0254	+0.051/+0.0762	+/-0.127			
20.000	24.000	50.000	FB9082	* BP0200-0240-0500-BC9	Special Order
+/-0.0254	+0.051/+0.0762	+/-0.127			
20.000	24.000	60.000	FB9083	* BP0200-0240-0600-BC9	Special Order
+/-0.0254	+0.051/+0.0762	+/-0.127			
20.000	24.000	80.000	FB9084	* BP0200-0240-0800-BC9	Special Order
+/-0.0254	+0.051/+0.0762	+/-0.127			
<b>20.000 x 30.000 mm</b> (0.787 x 1.181 in.)					
20.000	30.000	30.000	FB9090	* BP0200-0300-0300-BC9	Special Order
+/-0.0254	+0.051/+0.0762	+/-0.127			
20.000	30.000	40.000	FB9091	* BP0200-0300-0400-BC9	Special Order
+/-0.0254	+0.051/+0.0762	+/-0.127			
20.000	30.000	50.000	FB9092	* BP0200-0300-0500-BC9	Special Order
+/-0.0254	+0.051/+0.0762	+/-0.127			
20.000	30.000	60.000	FB9093	* BP0200-0300-0600-BC9	Special Order
+/-0.0254	+0.051/+0.0762	+/-0.127			
20.000	30.000	80.000	FB9094	* BP0200-0300-0800-BC9	Special Order
+/-0.0254	+0.051/+0.0762	+/-0.127			
<b>20.638 x 23.813 mm</b> (0.813 x 0.938 in.)					
20.638	23.813	25.400	FB600	* BP0206-0238-0254-BC9	Special Order
+/-0.0254	+0.051/+0.0762	+/-0.127			
20.638	23.813	38.100		BP0206-0238-0381-BC9	
+/-0.0254	+0.051/+0.0762	+/-0.127			
20.638	23.813	50.800		BP0206-0238-0508-BC9	
+/-0.0254	+0.051/+0.0762	+/-0.127			
<b>20.638 x 25.400 mm</b> (0.813 x 1.000 in.)					
20.638	25.400	38.100	FB605	* BP0206-0254-0381-BC9	Special Order
+/-0.0254	+0.051/+0.0762	+/-0.127			
20.638	25.400	44.450		BP0206-0254-0445-BC9	
+/-0.0254	+0.051/+0.0762	+/-0.127			
20.638	25.400	50.800	FB606	* BP0206-0254-0508-BC9	Special Order
+/-0.0254	+0.051/+0.0762	+/-0.127			
20.638	25.400	63.500	FB607	* BP0206-0254-0635-BC9	Special Order
+/-0.0254	+0.051/+0.0762	+/-0.127			
<b>20.638 x 26.988 mm</b> (0.813 x 1.063 in.)					
20.638	26.988	38.100		BP0206-0270-0381-BC9	
+/-0.0254	+0.051/+0.0762	+/-0.127			
20.638	26.988	50.800	FB608	* BP0206-0270-0508-BC9	Special Order
+/-0.0254	+0.051/+0.0762	+/-0.127			
20.638	26.988	63.500	FB610	* BP0206-0270-0635-BC9	Special Order
+/-0.0254	+0.051/+0.0762	+/-0.127			
20.638	26.988	69.850		BP0206-0270-0699-BC9	
+/-0.0254	+0.051/+0.0762	+/-0.127			
20.638	26.988	76.200	FB612	* BP0206-0270-0762-BC9	Special Order
+/-0.0254	+0.051/+0.0762	+/-0.127			
<b>20.638 x 28.575 mm</b> (0.813 x 1.125 in.)					
20.638	28.575	38.100		BP0206-0286-0381-BC9	
+/-0.0254	+0.051/+0.0762	+/-0.127			
20.638	28.575	50.800		BP0206-0286-0508-BC9	
+/-0.0254	+0.051/+0.0762	+/-0.127			



Stocked or Short Delivery



Usually Available



Long delivery or not in current production

\* Large Minimum Quantities

\*\* Available only while stock lasts

ID (d)	OD (D)	Length (s)	Ref.	MBA Part Number	Comments
<b>20.638 x 30.163 mm</b>		<i>(0.813 x 1.188 in.)</i>			
20.638	30.163	63.500		BP0206-0302-0635-BC9	
+/-0.0254	+0.051/+0.0762	+/-0.127			
20.638	30.163	76.200		BP0206-0302-0762-BC9	
+/-0.0254	+0.051/+0.0762	+/-0.127			
<b>22.225 x 25.400 mm</b>		<i>(0.875 x 1.000 in.)</i>			
22.225	25.400	25.400	FB700	<b>BP0222-0254-0254-BC9</b>	
+/-0.0254	+0.051/+0.0762	+/-0.127			
22.225	25.400	31.750	FB702	* BP0222-0254-0318-BC9	Special Order
+/-0.0254	+0.051/+0.0762	+/-0.127			
22.225	25.400	34.925		BP0222-0254-0349-BC9	
+/-0.0254	+0.051/+0.0762	+/-0.127			
22.225	25.400	38.100	FB703	* BP0222-0254-0381-BC9	Special Order
+/-0.0254	+0.051/+0.0762	+/-0.127			
22.225	25.400	41.275		BP0222-0254-0413-BC9	
+/-0.0254	+0.051/+0.0762	+/-0.127			
22.225	25.400	50.800	FB705	<b>BP0222-0254-0508-BC9</b>	
+/-0.0254	+0.051/+0.0762	+/-0.127			
22.225	25.400	63.500	FB707	* BP0222-0254-0635-BC9	Special Order
+/-0.0254	+0.051/+0.0762	+/-0.127			
22.225	25.400	76.200	FB708	* BP0222-0254-0762-BC9	Special Order
+/-0.0254	+0.051/+0.0762	+/-0.127			
<b>22.225 x 26.988 mm</b>		<i>(0.875 x 1.063 in.)</i>			
22.225	26.988	25.400	FB709	* BP0222-0270-0254-BC9	Special Order
+/-0.0254	+0.051/+0.0762	+/-0.127			
22.225	26.988	31.750		BP0222-0270-0318-BC9	
+/-0.0254	+0.051/+0.0762	+/-0.127			
22.225	26.988	38.100	FB711	* BP0222-0270-0381-BC9	Special Order
+/-0.0254	+0.051/+0.0762	+/-0.127			
22.225	26.988	44.450		BP0222-0270-0445-BC9	
+/-0.0254	+0.051/+0.0762	+/-0.127			
22.225	26.988	50.800	FB713	* BP0222-0270-0508-BC9	Special Order
+/-0.0254	+0.051/+0.0762	+/-0.127			
22.225	26.988	57.150		BP0222-0270-0572-BC9	
+/-0.0254	+0.051/+0.0762	+/-0.127			
22.225	26.988	63.500	FB715	* BP0222-0270-0635-BC9	Special Order
+/-0.0254	+0.051/+0.0762	+/-0.127			
22.225	26.988	76.200		BP0222-0270-0762-BC9	
+/-0.0254	+0.051/+0.0762	+/-0.127			
<b>22.225 x 28.575 mm</b>		<i>(0.875 x 1.125 in.)</i>			
22.225	28.575	19.050		BP0222-0286-0191-BC9	
+/-0.0254	+0.051/+0.0762	+/-0.127			
22.225	28.575	25.400		BP0222-0286-0254-BC9	
+/-0.0254	+0.051/+0.0762	+/-0.127			
22.225	28.575	31.750	FB717	* BP0222-0286-0318-BC9	Special Order
+/-0.0254	+0.051/+0.0762	+/-0.127			
22.225	28.575	34.925		BP0222-0286-0349-BC9	
+/-0.0254	+0.051/+0.0762	+/-0.127			
22.225	28.575	38.100	FB718	* BP0222-0286-0381-BC9	Special Order
+/-0.0254	+0.051/+0.0762	+/-0.127			
22.225	28.575	44.450		BP0222-0286-0445-BC9	
+/-0.0254	+0.051/+0.0762	+/-0.127			
22.225	28.575	50.800	FB720	* BP0222-0286-0508-BC9	Special Order
+/-0.0254	+0.051/+0.0762	+/-0.127			
22.225	28.575	57.150	FB721	* BP0222-0286-0572-BC9	Special Order
+/-0.0254	+0.051/+0.0762	+/-0.127			
22.225	28.575	63.500	FB722	* BP0222-0286-0635-BC9	Special Order
+/-0.0254	+0.051/+0.0762	+/-0.127			
22.225	28.575	76.200	FB723	* BP0222-0286-0762-BC9	Special Order
+/-0.0254	+0.051/+0.0762	+/-0.127			
22.225	28.575	82.550		BP0222-0286-0826-BC9	
+/-0.0254	+0.051/+0.0762	+/-0.127			
22.225	28.575	88.900		BP0222-0286-0889-BC9	
+/-0.0254	+0.051/+0.0762	+/-0.127			
<b>22.225 x 30.163 mm</b>		<i>(0.875 x 1.188 in.)</i>			
22.225	30.163	25.400		BP0222-0302-0254-BC9	
+/-0.0254	+0.051/+0.0762	+/-0.127			



Stocked or Short Delivery



Usually Available



Long delivery or not in current production

\* Large Minimum Quantities

\*\* Available only while stock lasts

ID (d)	OD (D)	Length (s)	Ref.	MBA Part Number	Comments
<b>22.225 x 30.163 mm</b>		<i>(0.875 x 1.188 in.)</i>			
22.225	30.163	31.750		BP0222-0302-0318-BC9	
+/-0.0254	+0.051/+0.0762	+/-0.127			
22.225	30.163	38.100		BP0222-0302-0381-BC9	
+/-0.0254	+0.051/+0.0762	+/-0.127			
22.225	30.163	50.800		BP0222-0302-0508-BC9	
+/-0.0254	+0.051/+0.0762	+/-0.127			
22.225	30.163	63.500		BP0222-0302-0635-BC9	
+/-0.0254	+0.051/+0.0762	+/-0.127			
22.225	30.163	76.200		BP0222-0302-0762-BC9	
+/-0.0254	+0.051/+0.0762	+/-0.127			
<b>22.225 x 31.750 mm</b>		<i>(0.875 x 1.250 in.)</i>			
22.225	31.750	38.100	FB725	* BP0222-0318-0381-BC9	Special Order
+/-0.0254	+0.051/+0.0762	+/-0.127			
22.225	31.750	44.450		BP0222-0318-0445-BC9	
+/-0.0254	+0.051/+0.0762	+/-0.127			
22.225	31.750	50.800	FB726	* BP0222-0318-0508-BC9	Special Order
+/-0.0254	+0.051/+0.0762	+/-0.127			
22.225	31.750	57.150		BP0222-0318-0572-BC9	
+/-0.0254	+0.051/+0.0762	+/-0.127			
22.225	31.750	63.500	FB728	* BP0222-0318-0635-BC9	Special Order
+/-0.0254	+0.051/+0.0762	+/-0.127			
22.225	31.750	76.200	FB729	* BP0222-0318-0762-BC9	Special Order
+/-0.0254	+0.051/+0.0762	+/-0.127			
22.225	31.750	88.900		BP0222-0318-0889-BC9	
+/-0.0254	+0.051/+0.0762	+/-0.127			
22.225	31.750	101.600		BP0222-0318-1016-BC9	
+/-0.0254	+0.051/+0.0762	+/-0.127			
<b>22.225 x 34.925 mm</b>		<i>(0.875 x 1.375 in.)</i>			
22.225	34.925	38.100		BP0222-0349-0381-BC9	
+/-0.0254	+0.051/+0.0762	+/-0.127			
22.225	34.925	44.450		BP0222-0349-0445-BC9	
+/-0.0254	+0.051/+0.0762	+/-0.127			
22.225	34.925	50.800		BP0222-0349-0508-BC9	
+/-0.0254	+0.051/+0.0762	+/-0.127			
22.225	34.925	63.500		BP0222-0349-0635-BC9	
+/-0.0254	+0.051/+0.0762	+/-0.127			
22.225	34.925	76.200	FB730	* BP0222-0349-0762-BC9	Special Order
+/-0.0254	+0.051/+0.0762	+/-0.127			
<b>23.813 x 26.988 mm</b>		<i>(0.938 x 1.063 in.)</i>			
23.813	26.988	38.100	FB731	* BP0238-0270-0381-BC9	Special Order
+/-0.0254	+0.051/+0.0762	+/-0.127			
23.813	26.988	50.800	FB732	* BP0238-0270-0508-BC9	Special Order
+/-0.0254	+0.051/+0.0762	+/-0.127			
23.813	26.988	63.500	FB733	* BP0238-0270-0635-BC9	Special Order
+/-0.0254	+0.051/+0.0762	+/-0.127			
<b>23.813 x 28.575 mm</b>		<i>(0.938 x 1.125 in.)</i>			
23.813	28.575	31.750	FB734	* BP0238-0286-0318-BC9	Special Order
+/-0.0254	+0.051/+0.0762	+/-0.127			
23.813	28.575	38.100		BP0238-0286-0381-BC9	
+/-0.0254	+0.051/+0.0762	+/-0.127			
23.813	28.575	50.800		BP0238-0286-0508-BC9	
+/-0.0254	+0.051/+0.0762	+/-0.127			
23.813	28.575	57.150	FB735	* BP0238-0286-0572-BC9	Special Order
+/-0.0254	+0.051/+0.0762	+/-0.127			
23.813	28.575	63.500		BP0238-0286-0635-BC9	
+/-0.0254	+0.051/+0.0762	+/-0.127			
23.813	28.575	76.200	FB736	* BP0238-0286-0762-BC9	Special Order
+/-0.0254	+0.051/+0.0762	+/-0.127			
<b>23.813 x 30.163 mm</b>		<i>(0.938 x 1.188 in.)</i>			
23.813	30.163	31.750		BP0238-0302-0318-BC9	
+/-0.0254	+0.051/+0.0762	+/-0.127			
23.813	30.163	38.100		BP0238-0302-0381-BC9	
+/-0.0254	+0.051/+0.0762	+/-0.127			
23.813	30.163	50.800	FB738	* BP0238-0302-0508-BC9	Special Order
+/-0.0254	+0.051/+0.0762	+/-0.127			



Stocked or Short Delivery



Usually Available



Long delivery or not in current production

\* Large Minimum Quantities

\*\* Available only while stock lasts

ID (d)	OD (D)	Length (s)	Ref.	MBA Part Number	Comments
<b>23.813 x 30.163 mm</b>		<i>(0.938 x 1.188 in.)</i>			
23.813	30.163	57.150		BP0238-0302-0572-BC9	
+/-0.0254	+0.051/+0.0762	+/-0.127			
23.813	30.163	76.200		BP0238-0302-0762-BC9	
+/-0.0254	+0.051/+0.0762	+/-0.127			
<b>23.813 x 31.750 mm</b>		<i>(0.938 x 1.250 in.)</i>			
23.813	31.750	25.400		BP0238-0318-0254-BC9	
+/-0.0254	+0.051/+0.0762	+/-0.127			
23.813	31.750	38.100		BP0238-0318-0381-BC9	
+/-0.0254	+0.051/+0.0762	+/-0.127			
23.813	31.750	50.800		BP0238-0318-0508-BC9	
+/-0.0254	+0.051/+0.0762	+/-0.127			
23.813	31.750	63.500		BP0238-0318-0635-BC9	
+/-0.0254	+0.051/+0.0762	+/-0.127			
23.813	31.750	69.850		BP0238-0318-0699-BC9	
+/-0.0254	+0.051/+0.0762	+/-0.127			
<b>23.813 x 33.338 mm</b>		<i>(0.938 x 1.313 in.)</i>			
23.813	33.338	38.100		BP0238-0333-0381-BC9	
+/-0.0254	+0.051/+0.0762	+/-0.127			
23.813	33.338	50.800		BP0238-0333-0508-BC9	
+/-0.0254	+0.051/+0.0762	+/-0.127			
23.813	33.338	76.200		BP0238-0333-0762-BC9	
+/-0.0254	+0.051/+0.0762	+/-0.127			
<b>25.000 x 30.000 mm</b>		<i>(0.984 x 1.181 in.)</i>			
25.000	30.000	30.000	FB9100	* BP0250-0300-0300-BC9	Special Order
+/-0.0254	+0.051/+0.0762	+/-0.127			
25.000	30.000	40.000	FB9101	* BP0250-0300-0400-BC9	Special Order
+/-0.0254	+0.051/+0.0762	+/-0.127			
25.000	30.000	50.000	FB9102	* BP0250-0300-0500-BC9	Special Order
+/-0.0254	+0.051/+0.0762	+/-0.127			
25.000	30.000	60.000	FB9103	* BP0250-0300-0600-BC9	Special Order
+/-0.0254	+0.051/+0.0762	+/-0.127			
25.000	30.000	80.000	FB9104	* BP0250-0300-0800-BC9	Special Order
+/-0.0254	+0.051/+0.0762	+/-0.127			
25.000	30.000	100.000	FB9105	* BP0250-0300-1000-BC9	Special Order
+/-0.0254	+0.051/+0.0762	+/-0.127			
<b>25.000 x 35.000 mm</b>		<i>(0.984 x 1.378 in.)</i>			
25.000	35.000	30.000	FB9110	* BP0250-0350-0300-BC9	Special Order
+/-0.0254	+0.051/+0.0762	+/-0.127			
25.000	35.000	40.000	FB9111	* BP0250-0350-0400-BC9	Special Order
+/-0.0254	+0.051/+0.0762	+/-0.127			
25.000	35.000	50.000	FB9112	<b>BP0250-0350-0500-BC9</b>	
+/-0.0254	+0.051/+0.0762	+/-0.127			
25.000	35.000	60.000	FB9113	* BP0250-0350-0600-BC9	Special Order
+/-0.0254	+0.051/+0.0762	+/-0.127			
25.000	35.000	80.000	FB9114	* BP0250-0350-0800-BC9	Special Order
+/-0.0254	+0.051/+0.0762	+/-0.127			
25.000	35.000	100.000	FB9445	* BP0250-0350-1000-BC9	Special Order
+/-0.0254	+0.051/+0.0762	+/-0.127			
<b>25.400 x 26.988 mm</b>		<i>(1.000 x 1.063 in.)</i>			
25.400	26.988	38.100	FB800	* BP0254-0270-0381-BC9	Special Order
+/-0.0254	+0.051/+0.0762	+/-0.127			
<b>25.400 x 28.575 mm</b>		<i>(1.000 x 1.125 in.)</i>			
25.400	28.575	25.400	FB801	<b>BP0254-0286-0254-BC9</b>	
+/-0.0254	+0.051/+0.0762	+/-0.127			
25.400	28.575	31.750	FB802	* BP0254-0286-0318-BC9	Special Order
+/-0.0254	+0.051/+0.0762	+/-0.127			
25.400	28.575	34.925		BP0254-0286-0349-BC9	
+/-0.0254	+0.051/+0.0762	+/-0.127			
25.400	28.575	38.100	FB803	<b>BP0254-0286-0381-BC9</b>	
+/-0.0254	+0.051/+0.0762	+/-0.127			
25.400	28.575	44.450		BP0254-0286-0445-BC9	
+/-0.0254	+0.051/+0.0762	+/-0.127			
25.400	28.575	50.800	FB805	* BP0254-0286-0508-BC9	Special Order
+/-0.0254	+0.051/+0.0762	+/-0.127			



Stocked or Short Delivery



Usually Available



Long delivery or not in current production

\* Large Minimum Quantities

\*\* Available only while stock lasts

ID (d)	OD (D)	Length (s)	Ref.	MBA Part Number	Comments
<b>25.400 x 28.575 mm</b>		<i>(1.000 x 1.125 in.)</i>			
25.400 +/-0.0254	28.575 +0.051/+0.0762	63.500 +/-0.127	FB806	* BP0254-0286-0635-BC9	Special Order
25.400 +/-0.0254	28.575 +0.051/+0.0762	76.200 +/-0.127	FB807	* BP0254-0286-0762-BC9	Special Order
<b>25.400 x 30.163 mm</b>		<i>(1.000 x 1.188 in.)</i>			
25.400 +/-0.0254	30.163 +0.051/+0.0762	22.225 +/-0.127		BP0254-0302-0222-BC9	
25.400 +/-0.0254	30.163 +0.051/+0.0762	25.400 +/-0.127		BP0254-0302-0254-BC9	
25.400 +/-0.0254	30.163 +0.051/+0.0762	31.750 +/-0.127		BP0254-0302-0318-BC9	
25.400 +/-0.0254	30.163 +0.051/+0.0762	38.100 +/-0.127	FB808	* BP0254-0302-0381-BC9	Special Order
25.400 +/-0.0254	30.163 +0.051/+0.0762	44.450 +/-0.127		BP0254-0302-0445-BC9	
25.400 +/-0.0254	30.163 +0.051/+0.0762	50.800 +/-0.127	FB809	* BP0254-0302-0508-BC9	Special Order
25.400 +/-0.0254	30.163 +0.051/+0.0762	63.500 +/-0.127	FB810	* BP0254-0302-0635-BC9	Special Order
<b>25.400 x 31.750 mm</b>		<i>(1.000 x 1.250 in.)</i>			
25.400 +/-0.0254	31.750 +0.051/+0.0762	19.050 +/-0.127		<b>BP0254-0318-0191-BC9</b>	
25.400 +/-0.0254	31.750 +0.051/+0.0762	25.400 +/-0.127	FB811	<b>BP0254-0318-0254-BC9</b>	
25.400 +/-0.0254	31.750 +0.051/+0.0762	28.580 +/-0.127	FB812	* BP0254-0318-0286-BC9	Special Order
25.400 +/-0.0254	31.750 +0.051/+0.0762	31.750 +/-0.127	FB813	<b>BP0254-0318-0318-BC9</b>	
25.400 +/-0.0254	31.750 +0.051/+0.0762	34.925 +/-0.127		BP0254-0318-0349-BC9	
25.400 +/-0.0254	31.750 +0.051/+0.0762	38.100 +/-0.127	FB814	<b>BP0254-0318-0381-BC9</b>	
25.400 +/-0.0254	31.750 +0.051/+0.0762	41.275 +/-0.127		BP0254-0318-0413-BC9	
25.400 +/-0.0254	31.750 +0.051/+0.0762	44.450 +/-0.127	FB815	<b>BP0254-0318-0445-BC9</b>	
25.400 +/-0.0254	31.750 +0.051/+0.0762	47.625 +/-0.127		BP0254-0318-0476-BC9	
25.400 +/-0.0254	31.750 +0.051/+0.0762	50.800 +/-0.127	FB816	<b>BP0254-0318-0508-BC9</b>	
25.400 +/-0.0254	31.750 +0.051/+0.0762	57.150 +/-0.127		BP0254-0318-0572-BC9	
25.400 +/-0.0254	31.750 +0.051/+0.0762	63.500 +/-0.127	FB818	<b>BP0254-0318-0635-BC9</b>	
25.400 +/-0.0254	31.750 +0.051/+0.0762	69.850 +/-0.127		BP0254-0318-0699-BC9	
25.400 +/-0.0254	31.750 +0.051/+0.0762	76.200 +/-0.127	FB820	<b>BP0254-0318-0762-BC9</b>	
25.400 +/-0.0254	31.750 +0.051/+0.0762	88.900 +/-0.127	FB821	* BP0254-0318-0889-BC9	Special Order
25.400 +/-0.0254	31.750 +0.051/+0.0762	95.250 +/-0.127		BP0254-0318-0953-BC9	
25.400 +/-0.0254	31.750 +0.051/+0.0762	101.600 +/-0.127	FB822	* BP0254-0318-1016-BC9	Special Order
25.400 +/-0.0254	31.750 +0.051/+0.0762	114.300 +/-0.127		BP0254-0318-1143-BC9	
<b>25.400 x 33.338 mm</b>		<i>(1.000 x 1.313 in.)</i>			
25.400 +/-0.0254	33.338 +0.051/+0.0762	38.100 +/-0.127		BP0254-0333-0381-BC9	
25.400 +/-0.0254	33.338 +0.051/+0.0762	50.800 +/-0.127		BP0254-0333-0508-BC9	
25.400 +/-0.0254	33.338 +0.051/+0.0762	57.150 +/-0.127		BP0254-0333-0572-BC9	
25.400 +/-0.0254	33.338 +0.051/+0.0762	63.500 +/-0.127		BP0254-0333-0635-BC9	



Stocked or Short Delivery



Usually Available



Long delivery or not in current production

\* Large Minimum Quantities

\*\* Available only while stock lasts



ID (d)	OD (D)	Length (s)	Ref.	MBA Part Number	Comments
<b>25.400 x 33.338 mm</b> (1.000 x 1.313 in.)					
25.400	33.338	76.200		BP0254-0333-0762-BC9	
+/-0.0254	+0.051/+0.0762	+/-0.127			
25.400	33.338	88.900		BP0254-0333-0889-BC9	
+/-0.0254	+0.051/+0.0762	+/-0.127			
25.400	33.338	95.250		BP0254-0333-0953-BC9	
+/-0.0254	+0.051/+0.0762	+/-0.127			
<b>25.400 x 34.925 mm</b> (1.000 x 1.375 in.)					
25.400	34.925	25.400		<b>BP0254-0349-0254-BC9</b>	
+/-0.0254	+0.051/+0.0762	+/-0.127			
25.400	34.925	31.750		BP0254-0349-0318-BC9	
+/-0.0254	+0.051/+0.0762	+/-0.127			
25.400	34.925	38.100	FB827	<b>BP0254-0349-0381-BC9</b>	
+/-0.0254	+0.051/+0.0762	+/-0.127			
25.400	34.925	44.450		BP0254-0349-0445-BC9	
+/-0.0254	+0.051/+0.0762	+/-0.127			
25.400	34.925	50.800	FB823	* BP0254-0349-0508-BC9	Special Order
+/-0.0254	+0.051/+0.0762	+/-0.127			
25.400	34.925	63.500	FB824	* BP0254-0349-0635-BC9	Special Order
+/-0.0254	+0.051/+0.0762	+/-0.127			
25.400	34.925	69.850		BP0254-0349-0699-BC9	
+/-0.0254	+0.051/+0.0762	+/-0.127			
25.400	34.925	76.200	FB825	* BP0254-0349-0762-BC9	Special Order
+/-0.0254	+0.051/+0.0762	+/-0.127			
25.400	34.925	82.550		BP0254-0349-0826-BC9	
+/-0.0254	+0.051/+0.0762	+/-0.127			
25.400	34.925	88.900		BP0254-0349-0889-BC9	
+/-0.0254	+0.051/+0.0762	+/-0.127			
25.400	34.925	101.600		BP0254-0349-1016-BC9	
+/-0.0254	+0.051/+0.0762	+/-0.127			
25.400	34.925	114.300		BP0254-0349-1143-BC9	
+/-0.0254	+0.051/+0.0762	+/-0.127			
<b>25.400 x 38.100 mm</b> (1.000 x 1.500 in.)					
25.400	38.100	38.100		<b>BP0254-0381-0381-BC9</b>	
+/-0.0254	+0.051/+0.0762	+/-0.127			
25.400	38.100	44.450		BP0254-0381-0445-BC9	
+/-0.0254	+0.051/+0.0762	+/-0.127			
25.400	38.100	50.800		<b>BP0254-0381-0508-BC9</b>	
+/-0.0254	+0.051/+0.0762	+/-0.127			
25.400	38.100	63.500		BP0254-0381-0635-BC9	
+/-0.0254	+0.051/+0.0762	+/-0.127			
25.400	38.100	76.200		<b>BP0254-0381-0762-BC9</b>	
+/-0.0254	+0.051/+0.0762	+/-0.127			
25.400	38.100	101.600		<b>BP0254-0381-1016-BC9</b>	
+/-0.0254	+0.051/+0.0762	+/-0.127			
<b>25.400 x 41.275 mm</b> (1.000 x 1.625 in.)					
25.400	41.275	50.800		BP0254-0413-0508-BC9	
+/-0.0254	+0.051/+0.0762	+/-0.127			
25.400	41.275	63.500		BP0254-0413-0635-BC9	
+/-0.0254	+0.051/+0.0762	+/-0.127			
25.400	41.275	76.200		BP0254-0413-0762-BC9	
+/-0.0254	+0.051/+0.0762	+/-0.127			
25.400	41.275	88.900		BP0254-0413-0889-BC9	
+/-0.0254	+0.051/+0.0762	+/-0.127			
<b>25.400 x 44.450 mm</b> (1.000 x 1.750 in.)					
25.400	44.450	165.100		BP0254-0445-1651-BC9	
+/-0.0254	+0.051/+0.0762	+/-0.127			
<b>25.400 x 50.800 mm</b> (1.000 x 2.000 in.)					
25.400	50.800	76.200		BP0254-0508-0762-BC9	
+/-0.0254	+0.051/+0.0762	+/-0.127			
25.400	50.800	165.100		BP0254-0508-1651-BC9	
+/-0.0254	+0.051/+0.0762	+/-0.127			
<b>26.988 x 33.338 mm</b> (1.063 x 1.313 in.)					
26.988	33.338	38.100		BP0270-0333-0381-BC9	
+/-0.0254	+0.051/+0.0762	+/-0.127			



Stocked or Short Delivery



Usually Available



Long delivery or not in current production

\* Large Minimum Quantities

\*\* Available only while stock lasts

ID (d)	OD (D)	Length (s)	Ref.	MBA Part Number	Comments
<b>26.988 x 33.338 mm</b> (1.063 x 1.313 in.)					
26.988	33.338	50.800		BP0270-0333-0508-BC9	
+/-0.0254	+0.051/+0.0762	+/-0.127			
26.988	33.338	63.500		BP0270-0333-0635-BC9	
+/-0.0254	+0.051/+0.0762	+/-0.127			
26.988	33.338	76.200		BP0270-0333-0762-BC9	
+/-0.0254	+0.051/+0.0762	+/-0.127			
26.988	33.338	88.900		BP0270-0333-0889-BC9	
+/-0.0254	+0.051/+0.0762	+/-0.127			
<b>26.988 x 34.925 mm</b> (1.063 x 1.375 in.)					
26.988	34.925	25.400		BP0270-0349-0254-BC9	
+/-0.0254	+0.051/+0.0762	+/-0.127			
26.988	34.925	50.800		BP0270-0349-0508-BC9	
+/-0.0254	+0.051/+0.0762	+/-0.127			
26.988	34.925	63.500		BP0270-0349-0635-BC9	
+/-0.0254	+0.051/+0.0762	+/-0.127			
<b>26.988 x 36.513 mm</b> (1.063 x 1.438 in.)					
26.988	36.513	63.500		BP0270-0365-0635-BC9	
+/-0.0254	+0.051/+0.0762	+/-0.127			
26.988	36.513	76.200		BP0270-0365-0762-BC9	
+/-0.0254	+0.051/+0.0762	+/-0.127			
26.988	36.513	101.600		BP0270-0365-1016-BC9	
+/-0.0254	+0.051/+0.0762	+/-0.127			
<b>28.575 x 31.750 mm</b> (1.125 x 1.250 in.)					
28.575	31.750	31.750	FB900	* BP0286-0318-0318-BC9	Special Order
+/-0.0254	+0.051/+0.0762	+/-0.127			
28.575	31.750	38.100		BP0286-0318-0381-BC9	
+/-0.0254	+0.051/+0.0762	+/-0.127			
28.575	31.750	44.450	FB901	* BP0286-0318-0445-BC9	Special Order
+/-0.0254	+0.051/+0.0762	+/-0.127			
28.575	31.750	50.800		BP0286-0318-0508-BC9	
+/-0.0254	+0.051/+0.0762	+/-0.127			
28.575	31.750	57.150	FB902	* BP0286-0318-0572-BC9	Special Order
+/-0.0254	+0.051/+0.0762	+/-0.127			
28.575	31.750	69.850	FB903	* BP0286-0318-0699-BC9	Special Order
+/-0.0254	+0.051/+0.0762	+/-0.127			
<b>28.575 x 33.338 mm</b> (1.125 x 1.313 in.)					
28.575	33.338	57.150		BP0286-0333-0572-BC9	
+/-0.0254	+0.051/+0.0762	+/-0.127			
28.575	33.338	63.500		BP0286-0333-0635-BC9	
+/-0.0254	+0.051/+0.0762	+/-0.127			
<b>28.575 x 34.925 mm</b> (1.125 x 1.375 in.)					
28.575	34.925	25.400		<b>BP0286-0349-0254-BC9</b>	
+/-0.0254	+0.051/+0.0762	+/-0.127			
28.575	34.925	31.750		BP0286-0349-0318-BC9	
+/-0.0254	+0.051/+0.0762	+/-0.127			
28.575	34.925	38.100		BP0286-0349-0381-BC9	
+/-0.0254	+0.051/+0.0762	+/-0.127			
28.575	34.925	44.450		<b>BP0286-0349-0445-BC9</b>	
+/-0.0254	+0.051/+0.0762	+/-0.127			
28.575	34.925	50.800	FB904	<b>BP0286-0349-0508-BC9</b>	
+/-0.0254	+0.051/+0.0762	+/-0.127			
28.575	34.925	57.150		BP0286-0349-0572-BC9	
+/-0.0254	+0.051/+0.0762	+/-0.127			
28.575	34.925	63.500		BP0286-0349-0635-BC9	
+/-0.0254	+0.051/+0.0762	+/-0.127			
28.575	34.925	76.200	FB906	* BP0286-0349-0762-BC9	Special Order
+/-0.0254	+0.051/+0.0762	+/-0.127			
28.575	34.925	82.550		BP0286-0349-0826-BC9	
+/-0.0254	+0.051/+0.0762	+/-0.127			
28.575	34.925	88.900	FB907	* BP0286-0349-0889-BC9	Special Order
+/-0.0254	+0.051/+0.0762	+/-0.127			
28.575	34.925	101.600	FB908	<b>BP0286-0349-1016-BC9</b>	
+/-0.0254	+0.051/+0.0762	+/-0.127			



Stocked or Short Delivery



Usually Available



Long delivery or not in current production

\* Large Minimum Quantities

\*\* Available only while stock lasts

ID (d)	OD (D)	Length (s)	Ref.	MBA Part Number	Comments
<b>28.575 x 36.513 mm</b> (1.125 x 1.438 in.)					
28.575	36.513	38.100		BP0286-0365-0381-BC9	
+/-0.0254	+0.051/+0.0762	+/-0.127			
28.575	36.513	63.500		BP0286-0365-0635-BC9	
+/-0.0254	+0.051/+0.0762	+/-0.127			
28.575	36.513	76.200		BP0286-0365-0762-BC9	
+/-0.0254	+0.051/+0.0762	+/-0.127			
28.575	36.513	88.900		BP0286-0365-0889-BC9	
+/-0.0254	+0.051/+0.0762	+/-0.127			
<b>28.575 x 38.100 mm</b> (1.125 x 1.500 in.)					
28.575	38.100	38.100		BP0286-0381-0381-BC9	
+/-0.0254	+0.051/+0.0762	+/-0.127			
28.575	38.100	50.800		BP0286-0381-0508-BC9	
+/-0.0254	+0.051/+0.0762	+/-0.127			
28.575	38.100	63.500		BP0286-0381-0635-BC9	
+/-0.0254	+0.051/+0.0762	+/-0.127			
28.575	38.100	76.200	FB909	* BP0286-0381-0762-BC9	Special Order
+/-0.0254	+0.051/+0.0762	+/-0.127			
28.575	38.100	88.900		BP0286-0381-0889-BC9	
+/-0.0254	+0.051/+0.0762	+/-0.127			
28.575	38.100	101.600		BP0286-0381-1016-BC9	
+/-0.0254	+0.051/+0.0762	+/-0.127			
<b>28.575 x 41.275 mm</b> (1.125 x 1.625 in.)					
28.575	41.275	44.450		BP0286-0413-0445-BC9	
+/-0.0254	+0.051/+0.0762	+/-0.127			
28.575	41.275	50.800		BP0286-0413-0508-BC9	
+/-0.0254	+0.051/+0.0762	+/-0.127			
28.575	41.275	63.500		BP0286-0413-0635-BC9	
+/-0.0254	+0.051/+0.0762	+/-0.127			
28.575	41.275	76.200		BP0286-0413-0762-BC9	
+/-0.0254	+0.051/+0.0762	+/-0.127			
28.575	41.275	88.900		BP0286-0413-0889-BC9	
+/-0.0254	+0.051/+0.0762	+/-0.127			
28.575	41.275	101.600		BP0286-0413-1016-BC9	
+/-0.0254	+0.051/+0.0762	+/-0.127			
28.575	41.275	114.300		BP0286-0413-1143-BC9	
+/-0.0254	+0.051/+0.0762	+/-0.127			
<b>28.575 x 47.625 mm</b> (1.125 x 1.875 in.)					
28.575	47.625	165.100		BP0286-0476-1651-BC9	
+/-0.0254	+0.051/+0.0762	+/-0.127			
<b>28.575 x 50.800 mm</b> (1.125 x 2.000 in.)					
28.575	50.800	76.200		BP0286-0508-0762-BC9	
+/-0.0254	+0.051/+0.0762	+/-0.127			
28.575	50.800	139.700		BP0286-0508-1397-BC9	
+/-0.0254	+0.051/+0.0762	+/-0.127			
<b>30.000 x 35.000 mm</b> (1.181 x 1.378 in.)					
30.000	35.000	30.000	FB9120	* BP0300-0350-0300-BC9	Special Order
+/-0.0254	+0.051/+0.0762	+/-0.127			
30.000	35.000	40.000	FB9121	* BP0300-0350-0400-BC9	Special Order
+/-0.0254	+0.051/+0.0762	+/-0.127			
30.000	35.000	50.000	FB9122	* BP0300-0350-0500-BC9	Special Order
+/-0.0254	+0.051/+0.0762	+/-0.127			
30.000	35.000	60.000	FB9123	* BP0300-0350-0600-BC9	Special Order
+/-0.0254	+0.051/+0.0762	+/-0.127			
30.000	35.000	80.000	FB9124	* BP0300-0350-0800-BC9	Special Order
+/-0.0254	+0.051/+0.0762	+/-0.127			
30.000	35.000	100.000	FB9125	* BP0300-0350-1000-BC9	Special Order
+/-0.0254	+0.051/+0.0762	+/-0.127			
<b>30.000 x 40.000 mm</b> (1.181 x 1.575 in.)					
30.000	40.000	30.000	FB9130	* BP0300-0400-0300-BC9	Special Order
+/-0.0254	+0.051/+0.0762	+/-0.127			
30.000	40.000	40.000	FB9131	* BP0300-0400-0400-BC9	Special Order
+/-0.0254	+0.051/+0.0762	+/-0.127			
30.000	40.000	50.000	FB9132	* BP0300-0400-0500-BC9	Special Order
+/-0.0254	+0.051/+0.0762	+/-0.127			



Stocked or Short Delivery



Usually Available



Long delivery or not in current production

\* Large Minimum Quantities

\*\* Available only while stock lasts

ID (d)	OD (D)	Length (s)	Ref.	MBA Part Number	Comments
<b>30.000 x 40.000 mm</b>		<i>(1.181 x 1.575 in.)</i>			
30.000 +/-0.0254	40.000 +0.051/+0.0762	60.000 +/-0.127	FB9133	* BP0300-0400-0600-BC9	Special Order
30.000 +/-0.0254	40.000 +0.051/+0.0762	80.000 +/-0.127	FB9134	* BP0300-0400-0800-BC9	Special Order
30.000 +/-0.0254	40.000 +0.051/+0.0762	100.000 +/-0.127	FB9135	* BP0300-0400-1000-BC9	Special Order
<b>30.163 x 34.925 mm</b>		<i>(1.188 x 1.375 in.)</i>			
30.163 +/-0.0254	34.925 +0.051/+0.0762	44.450 +/-0.127		BP0302-0349-0445-BC9	
30.163 +/-0.0254	34.925 +0.051/+0.0762	50.800 +/-0.127		BP0302-0349-0508-BC9	
30.163 +/-0.0254	34.925 +0.051/+0.0762	63.500 +/-0.127		BP0302-0349-0635-BC9	
<b>30.163 x 36.513 mm</b>		<i>(1.188 x 1.438 in.)</i>			
30.163 +/-0.0254	36.513 +0.051/+0.0762	31.750 +/-0.127		BP0302-0365-0318-BC9	
30.163 +/-0.0254	36.513 +0.051/+0.0762	38.100 +/-0.127		BP0302-0365-0381-BC9	
30.163 +/-0.0254	36.513 +0.051/+0.0762	50.800 +/-0.127		BP0302-0365-0508-BC9	
30.163 +/-0.0254	36.513 +0.051/+0.0762	63.500 +/-0.127		BP0302-0365-0635-BC9	
30.163 +/-0.0254	36.513 +0.051/+0.0762	76.200 +/-0.127		BP0302-0365-0762-BC9	
30.163 +/-0.0254	36.513 +0.051/+0.0762	88.900 +/-0.127		BP0302-0365-0889-BC9	
<b>30.163 x 38.100 mm</b>		<i>(1.188 x 1.500 in.)</i>			
30.163 +/-0.0254	38.100 +0.051/+0.0762	50.800 +/-0.127		BP0302-0381-0508-BC9	
30.163 +/-0.0254	38.100 +0.051/+0.0762	76.200 +/-0.127		BP0302-0381-0762-BC9	
30.163 +/-0.0254	38.100 +0.051/+0.0762	101.600 +/-0.127		BP0302-0381-1016-BC9	
<b>30.163 x 39.688 mm</b>		<i>(1.188 x 1.563 in.)</i>			
30.163 +/-0.0254	39.688 +0.051/+0.0762	38.100 +/-0.127		BP0302-0397-0381-BC9	
30.163 +/-0.0254	39.688 +0.051/+0.0762	63.500 +/-0.127		BP0302-0397-0635-BC9	
30.163 +/-0.0254	39.688 +0.051/+0.0762	76.200 +/-0.127		BP0302-0397-0762-BC9	
30.163 +/-0.0254	39.688 +0.051/+0.0762	88.900 +/-0.127		BP0302-0397-0889-BC9	
<b>30.163 x 41.275 mm</b>		<i>(1.188 x 1.625 in.)</i>			
30.163 +/-0.0254	41.275 +0.051/+0.0762	50.800 +/-0.127		BP0302-0413-0508-BC9	
30.163 +/-0.0254	41.275 +0.051/+0.0762	63.500 +/-0.127		BP0302-0413-0635-BC9	
30.163 +/-0.0254	41.275 +0.051/+0.0762	76.200 +/-0.127		BP0302-0413-0762-BC9	
<b>30.163 x 42.863 mm</b>		<i>(1.188 x 1.688 in.)</i>			
30.163 +/-0.0254	42.863 +0.051/+0.0762	50.800 +/-0.127		BP0302-0429-0508-BC9	
30.163 +/-0.0254	42.863 +0.051/+0.0762	63.500 +/-0.127		BP0302-0429-0635-BC9	
30.163 +/-0.0254	42.863 +0.051/+0.0762	76.200 +/-0.127		BP0302-0429-0762-BC9	
30.163 +/-0.0254	42.863 +0.051/+0.0762	88.900 +/-0.127		BP0302-0429-0889-BC9	
<b>31.750 x 34.925 mm</b>		<i>(1.250 x 1.375 in.)</i>			
31.750 +/-0.0254	34.925 +0.051/+0.0762	38.100 +/-0.127	FB1000	* BP0318-0349-0381-BC9	Special Order
31.750 +/-0.0254	34.925 +0.051/+0.0762	76.200 +/-0.127	FB1001	* BP0318-0349-0762-BC9	Special Order



Stocked or Short Delivery



Usually Available



Long delivery or not in current production

\* Large Minimum Quantities

\*\* Available only while stock lasts

ID (d)	OD (D)	Length (s)	Ref.	MBA Part Number	Comments
<b>31.750 x 36.513 mm</b>		<i>(1.250 x 1.438 in.)</i>			
31.750	36.513	50.800		BP0318-0365-0508-BC9	
+/-0.0254	+0.051/+0.0762	+/-0.127			
31.750	36.513	63.500		BP0318-0365-0635-BC9	
+/-0.0254	+0.051/+0.0762	+/-0.127			
31.750	36.513	76.200		BP0318-0365-0762-BC9	
+/-0.0254	+0.051/+0.0762	+/-0.127			
<b>31.750 x 38.100 mm</b>		<i>(1.250 x 1.500 in.)</i>			
31.750	38.100	25.400	FB912	* BP0318-0381-0254-BC9	Special Order
+/-0.0254	+0.051/+0.0762	+/-0.127			
31.750	38.100	28.575		BP0318-0381-0286-BC9	
+/-0.0254	+0.051/+0.0762	+/-0.127			
31.750	38.100	31.750		BP0318-0381-0318-BC9	
+/-0.0254	+0.051/+0.0762	+/-0.127			
31.750	38.100	34.925		BP0318-0381-0349-BC9	
+/-0.0254	+0.051/+0.0762	+/-0.127			
31.750	38.100	38.100	FB914	<b>BP0318-0381-0381-BC9</b>	
+/-0.0254	+0.051/+0.0762	+/-0.127			
31.750	38.100	41.275		BP0318-0381-0413-BC9	
+/-0.0254	+0.051/+0.0762	+/-0.127			
31.750	38.100	44.450	FB1002	* BP0318-0381-0445-BC9	Special Order
+/-0.0254	+0.051/+0.0762	+/-0.127			
31.750	38.100	50.800	FB1003	<b>BP0318-0381-0508-BC9</b>	
+/-0.0254	+0.051/+0.0762	+/-0.127			
31.750	38.100	57.150		BP0318-0381-0572-BC9	
+/-0.0254	+0.051/+0.0762	+/-0.127			
31.750	38.100	63.500	FB1004	* BP0318-0381-0635-BC9	Special Order
+/-0.0254	+0.051/+0.0762	+/-0.127			
31.750	38.100	69.850		BP0318-0381-0699-BC9	
+/-0.0254	+0.051/+0.0762	+/-0.127			
31.750	38.100	76.200	FB1005	<b>BP0318-0381-0762-BC9</b>	
+/-0.0254	+0.051/+0.0762	+/-0.127			
31.750	38.100	82.550		BP0318-0381-0826-BC9	
+/-0.0254	+0.051/+0.0762	+/-0.127			
31.750	38.100	88.900	FB1007	* BP0318-0381-0889-BC9	Special Order
+/-0.0254	+0.051/+0.0762	+/-0.127			
31.750	38.100	101.600	FB1008	<b>BP0318-0381-1016-BC9</b>	
+/-0.0254	+0.051/+0.0762	+/-0.127			
31.750	38.100	107.950		BP0318-0381-1080-BC9	
+/-0.0254	+0.051/+0.0762	+/-0.127			
31.750	38.100	114.300		BP0318-0381-1143-BC9	
+/-0.0254	+0.051/+0.0762	+/-0.127			
31.750	38.100	127.000		BP0318-0381-1270-BC9	
+/-0.0254	+0.051/+0.0762	+/-0.127			
31.750	38.100	139.700		BP0318-0381-1397-BC9	
+/-0.0254	+0.051/+0.0762	+/-0.127			
<b>31.750 x 39.688 mm</b>		<i>(1.250 x 1.563 in.)</i>			
31.750	39.688	50.800		BP0318-0397-0508-BC9	
+/-0.0254	+0.051/+0.0762	+/-0.127			
31.750	39.688	63.500		BP0318-0397-0635-BC9	
+/-0.0254	+0.051/+0.0762	+/-0.127			
31.750	39.688	76.200		BP0318-0397-0762-BC9	
+/-0.0254	+0.051/+0.0762	+/-0.127			
31.750	39.688	88.900		BP0318-0397-0889-BC9	
+/-0.0254	+0.051/+0.0762	+/-0.127			
31.750	39.688	95.250		BP0318-0397-0953-BC9	
+/-0.0254	+0.051/+0.0762	+/-0.127			
<b>31.750 x 41.275 mm</b>		<i>(1.250 x 1.625 in.)</i>			
31.750	41.275	44.450	FB1009	* BP0318-0413-0445-BC9	Special Order
+/-0.0254	+0.051/+0.0762	+/-0.127			
31.750	41.275	50.800		BP0318-0413-0508-BC9	
+/-0.0254	+0.051/+0.0762	+/-0.127			
31.750	41.275	63.500		BP0318-0413-0635-BC9	
+/-0.0254	+0.051/+0.0762	+/-0.127			
31.750	41.275	76.200		BP0318-0413-0762-BC9	
+/-0.0254	+0.051/+0.0762	+/-0.127			



Stocked or Short Delivery



Usually Available



Long delivery or not in current production

\* Large Minimum Quantities

\*\* Available only while stock lasts

ID (d)	OD (D)	Length (s)	Ref.	MBA Part Number	Comments
<b>31.750 x 41.275 mm</b> (1.250 x 1.625 in.)					
31.750	41.275	82.550		BP0318-0413-0826-BC9	
+/-0.0254	+0.051/+0.0762	+/-0.127			
31.750	41.275	88.900		BP0318-0413-0889-BC9	
+/-0.0254	+0.051/+0.0762	+/-0.127			
31.750	41.275	101.600		BP0318-0413-1016-BC9	
+/-0.0254	+0.051/+0.0762	+/-0.127			
31.750	41.275	114.300		BP0318-0413-1143-BC9	
+/-0.0254	+0.051/+0.0762	+/-0.127			
31.750	41.275	120.650		BP0318-0413-1207-BC9	
+/-0.0254	+0.051/+0.0762	+/-0.127			
<b>31.750 x 42.863 mm</b> (1.250 x 1.688 in.)					
31.750	42.863	50.800		BP0318-0429-0508-BC9	
+/-0.0254	+0.051/+0.0762	+/-0.127			
31.750	42.863	63.500		BP0318-0429-0635-BC9	
+/-0.0254	+0.051/+0.0762	+/-0.127			
31.750	42.863	82.550		BP0318-0429-0826-BC9	
+/-0.0254	+0.051/+0.0762	+/-0.127			
31.750	42.863	88.900		BP0318-0429-0889-BC9	
+/-0.0254	+0.051/+0.0762	+/-0.127			
<b>31.750 x 44.450 mm</b> (1.250 x 1.750 in.)					
31.750	44.450	31.750		BP0318-0445-0318-BC9	
+/-0.0254	+0.051/+0.0762	+/-0.127			
31.750	44.450	44.450		BP0318-0445-0445-BC9	
+/-0.0254	+0.051/+0.0762	+/-0.127			
31.750	44.450	50.800		BP0318-0445-0508-BC9	
+/-0.0254	+0.051/+0.0762	+/-0.127			
31.750	44.450	57.150		BP0318-0445-0572-BC9	
+/-0.0254	+0.051/+0.0762	+/-0.127			
31.750	44.450	63.500		BP0318-0445-0635-BC9	
+/-0.0254	+0.051/+0.0762	+/-0.127			
31.750	44.450	69.850		BP0318-0445-0699-BC9	
+/-0.0254	+0.051/+0.0762	+/-0.127			
31.750	44.450	76.200		BP0318-0445-0762-BC9	
+/-0.0254	+0.051/+0.0762	+/-0.127			
31.750	44.450	88.900		BP0318-0445-0889-BC9	
+/-0.0254	+0.051/+0.0762	+/-0.127			
31.750	44.450	95.250		BP0318-0445-0953-BC9	
+/-0.0254	+0.051/+0.0762	+/-0.127			
31.750	44.450	101.600		BP0318-0445-1016-BC9	
+/-0.0254	+0.051/+0.0762	+/-0.127			
31.750	44.450	127.000		BP0318-0445-1270-BC9	
+/-0.0254	+0.051/+0.0762	+/-0.127			
<b>31.750 x 47.625 mm</b> (1.250 x 1.875 in.)					
31.750	47.625	50.800		BP0318-0476-0508-BC9	
+/-0.0254	+0.051/+0.0762	+/-0.127			
31.750	47.625	63.500		BP0318-0476-0635-BC9	
+/-0.0254	+0.051/+0.0762	+/-0.127			
31.750	47.625	76.200		BP0318-0476-0762-BC9	
+/-0.0254	+0.051/+0.0762	+/-0.127			
31.750	47.625	101.600		BP0318-0476-1016-BC9	
+/-0.0254	+0.051/+0.0762	+/-0.127			
<b>31.750 x 50.800 mm</b> (1.250 x 2.000 in.)					
31.750	50.800	76.200		BP0318-0508-0762-BC9	
+/-0.0254	+0.051/+0.0762	+/-0.127			
31.750	50.800	101.600		BP0318-0508-1016-BC9	
+/-0.0254	+0.051/+0.0762	+/-0.127			
31.750	50.800	165.100		BP0318-0508-1651-BC9	
+/-0.0254	+0.051/+0.0762	+/-0.127			
<b>33.338 x 38.100 mm</b> (1.313 x 1.500 in.)					
33.338	38.100	44.450		BP0333-0381-0445-BC9	
+/-0.0254	+0.051/+0.0762	+/-0.127			
33.338	38.100	76.200		BP0333-0381-0762-BC9	
+/-0.0254	+0.051/+0.0762	+/-0.127			



Stocked or Short Delivery



Usually Available



Long delivery or not in current production

\* Large Minimum Quantities

\*\* Available only while stock lasts

ID (d)	OD (D)	Length (s)	Ref.	MBA Part Number	Comments
<b>33.338 x 39.688 mm</b> (1.313 x 1.563 in.)					
33.338	39.688	76.200		BP0333-0397-0762-BC9	
+/-0.0254	+0.051/+0.0762	+/-0.127			
33.338	39.688	88.900		BP0333-0397-0889-BC9	
+/-0.0254	+0.051/+0.0762	+/-0.127			
33.338	39.688	101.600		BP0333-0397-1016-BC9	
+/-0.0254	+0.051/+0.0762	+/-0.127			
<b>33.338 x 41.275 mm</b> (1.313 x 1.625 in.)					
33.338	41.275	50.800		BP0333-0413-0508-BC9	
+/-0.0254	+0.051/+0.0762	+/-0.127			
33.338	41.275	63.500		<b>BP0333-0413-0635-BC9</b>	
+/-0.0254	+0.051/+0.0762	+/-0.127			
33.338	41.275	76.200		BP0333-0413-0762-BC9	
+/-0.0254	+0.051/+0.0762	+/-0.127			
33.338	41.275	101.600		BP0333-0413-1016-BC9	
+/-0.0254	+0.051/+0.0762	+/-0.127			
33.338	41.275	120.650		BP0333-0413-1207-BC9	
+/-0.0254	+0.051/+0.0762	+/-0.127			
<b>33.338 x 42.863 mm</b> (1.313 x 1.688 in.)					
33.338	42.863	63.500		BP0333-0429-0635-BC9	
+/-0.0254	+0.051/+0.0762	+/-0.127			
33.338	42.863	76.200		BP0333-0429-0762-BC9	
+/-0.0254	+0.051/+0.0762	+/-0.127			
33.338	42.863	101.600		BP0333-0429-1016-BC9	
+/-0.0254	+0.051/+0.0762	+/-0.127			
<b>33.338 x 46.038 mm</b> (1.313 x 1.813 in.)					
33.338	46.038	76.200		BP0333-0460-0762-BC9	
+/-0.0254	+0.051/+0.0762	+/-0.127			
33.338	46.038	101.600		BP0333-0460-1016-BC9	
+/-0.0254	+0.051/+0.0762	+/-0.127			
<b>33.338 x 47.625 mm</b> (1.313 x 1.875 in.)					
33.338	47.625	88.900		BP0333-0476-0889-BC9	
+/-0.0254	+0.051/+0.0762	+/-0.127			
33.338	47.625	114.300		BP0333-0476-1143-BC9	
+/-0.0254	+0.051/+0.0762	+/-0.127			
<b>34.925 x 38.100 mm</b> (1.375 x 1.500 in.)					
34.925	38.100	44.450		BP0349-0381-0445-BC9	
+/-0.0254	+0.051/+0.0762	+/-0.127			
34.925	38.100	50.800		BP0349-0381-0508-BC9	
+/-0.0254	+0.051/+0.0762	+/-0.127			
34.925	38.100	63.500		BP0349-0381-0635-BC9	
+/-0.0254	+0.051/+0.0762	+/-0.127			
<b>34.925 x 41.275 mm</b> (1.375 x 1.625 in.)					
34.925	41.275	31.750		BP0349-0413-0318-BC9	
+/-0.0254	+0.051/+0.0762	+/-0.127			
34.925	41.275	38.100		BP0349-0413-0381-BC9	
+/-0.0254	+0.051/+0.0762	+/-0.127			
34.925	41.275	50.800	FB1010	* BP0349-0413-0508-BC9	Special Order
+/-0.0254	+0.051/+0.0762	+/-0.127			
34.925	41.275	76.200	FB1011	<b>BP0349-0413-0762-BC9</b>	
+/-0.0254	+0.051/+0.0762	+/-0.127			
34.925	41.275	82.550		BP0349-0413-0826-BC9	
+/-0.0254	+0.051/+0.0762	+/-0.127			
34.925	41.275	88.900		BP0349-0413-0889-BC9	
+/-0.0254	+0.051/+0.0762	+/-0.127			
34.925	41.275	101.600		BP0349-0413-1016-BC9	Special Order
+/-0.0254	+0.051/+0.0762	+/-0.127			
34.925	41.275	114.300		BP0349-0413-1143-BC9	
+/-0.0254	+0.051/+0.0762	+/-0.127			
<b>34.925 x 42.863 mm</b> (1.375 x 1.688 in.)					
34.925	42.863	88.900		BP0349-0429-0889-BC9	
+/-0.0254	+0.051/+0.0762	+/-0.127			



Stocked or Short Delivery



Usually Available



Long delivery or not in current production

\* Large Minimum Quantities

\*\* Available only while stock lasts

ID (d)	OD (D)	Length (s)	Ref.	MBA Part Number	Comments
<b>34.925 x 44.450 mm</b> (1.375 x 1.750 in.)					
34.925 +/-0.0254	44.450 +0.051/+0.0762	50.800 +/-0.127		BP0349-0445-0508-BC9	
34.925 +/-0.0254	44.450 +0.051/+0.0762	57.150 +/-0.127		BP0349-0445-0572-BC9	
34.925 +/-0.0254	44.450 +0.051/+0.0762	63.500 +/-0.127		BP0349-0445-0635-BC9	
34.925 +/-0.0254	44.450 +0.051/+0.0762	76.200 +/-0.127		BP0349-0445-0762-BC9	
34.925 +/-0.0254	44.450 +0.051/+0.0762	88.900 +/-0.127		BP0349-0445-0889-BC9	
34.925 +/-0.0254	44.450 +0.051/+0.0762	101.600 +/-0.127	FB1012	* BP0349-0445-1016-BC9	Special Order
<b>34.925 x 47.625 mm</b> (1.375 x 1.875 in.)					
34.925 +/-0.0254	47.625 +0.051/+0.0762	76.200 +/-0.127		BP0349-0476-0762-BC9	
34.925 +/-0.0254	47.625 +0.051/+0.0762	88.900 +/-0.127		BP0349-0476-0889-BC9	
34.925 +/-0.0254	47.625 +0.051/+0.0762	101.600 +/-0.127		BP0349-0476-1016-BC9	
34.925 +/-0.0254	47.625 +0.051/+0.0762	114.300 +/-0.127		BP0349-0476-1143-BC9	
<b>34.925 x 50.800 mm</b> (1.375 x 2.000 in.)					
34.925 +/-0.0254	50.800 +0.051/+0.0762	76.200 +/-0.127		BP0349-0508-0762-BC9	
34.925 +/-0.0254	50.800 +0.051/+0.0762	101.600 +/-0.127		BP0349-0508-1016-BC9	
<b>34.925 x 53.975 mm</b> (1.375 x 2.125 in.)					
34.925 +/-0.0254	53.975 +0.051/+0.0762	165.100 +/-0.127		BP0349-0540-1651-BC9	
<b>35.000 x 40.000 mm</b> (1.378 x 1.575 in.)					
35.000 +/-0.0254	40.000 +0.051/+0.0762	40.000 +/-0.127	FB9140	* BP0350-0400-0400-BC9	Special Order
35.000 +/-0.0254	40.000 +0.051/+0.0762	50.000 +/-0.127	FB9141	* BP0350-0400-0500-BC9	Special Order
35.000 +/-0.0254	40.000 +0.051/+0.0762	60.000 +/-0.127	FB9142	* BP0350-0400-0600-BC9	Special Order
35.000 +/-0.0254	40.000 +0.051/+0.0762	80.000 +/-0.127	FB9143	* BP0350-0400-0800-BC9	Special Order
35.000 +/-0.0254	40.000 +0.051/+0.0762	100.000 +/-0.127	FB9144	* BP0350-0400-1000-BC9	Special Order
<b>35.000 x 45.000 mm</b> (1.378 x 1.772 in.)					
35.000 +/-0.0254	45.000 +0.051/+0.0762	40.000 +/-0.127	FB9150	* BP0350-0450-0400-BC9	Special Order
35.000 +/-0.0254	45.000 +0.051/+0.0762	50.000 +/-0.127	FB9151	* BP0350-0450-0500-BC9	Special Order
35.000 +/-0.0254	45.000 +0.051/+0.0762	60.000 +/-0.127	FB9152	* BP0350-0450-0600-BC9	Special Order
35.000 +/-0.0254	45.000 +0.051/+0.0762	80.000 +/-0.127	FB9153	* BP0350-0450-0800-BC9	Special Order
35.000 +/-0.0254	45.000 +0.051/+0.0762	100.000 +/-0.127	FB9154	* BP0350-0450-1000-BC9	Special Order
<b>36.513 x 41.275 mm</b> (1.438 x 1.625 in.)					
36.513 +/-0.0254	41.275 +0.051/+0.0762	44.450 +/-0.127		BP0365-0413-0445-BC9	
36.513 +/-0.0254	41.275 +0.051/+0.0762	69.850 +/-0.127		BP0365-0413-0699-BC9	
36.513 +/-0.0254	41.275 +0.051/+0.0762	76.200 +/-0.127		BP0365-0413-0762-BC9	
<b>36.513 x 42.863 mm</b> (1.438 x 1.688 in.)					
36.513 +/-0.0254	42.863 +0.051/+0.0762	63.500 +/-0.127		BP0365-0429-0635-BC9	
36.513 +/-0.0254	42.863 +0.051/+0.0762	76.200 +/-0.127		BP0365-0429-0762-BC9	



Stocked or Short Delivery



Usually Available



Long delivery or not in current production

\* Large Minimum Quantities

\*\* Available only while stock lasts



ID (d)	OD (D)	Length (s)	Ref.	MBA Part Number	Comments
<b>36.513 x 42.863 mm</b> (1.438 x 1.688 in.)					
36.513	42.863	88.900		BP0365-0429-0889-BC9	
+/-0.0254	+0.051/+0.0762	+/-0.127			
36.513	42.863	101.600		BP0365-0429-1016-BC9	
+/-0.0254	+0.051/+0.0762	+/-0.127			
36.513	42.863	107.950		BP0365-0429-1080-BC9	
+/-0.0254	+0.051/+0.0762	+/-0.127			
<b>36.513 x 44.450 mm</b> (1.438 x 1.750 in.)					
36.513	44.450	57.150		BP0365-0445-0572-BC9	
+/-0.0254	+0.051/+0.0762	+/-0.127			
36.513	44.450	76.200		BP0365-0445-0762-BC9	
+/-0.0254	+0.051/+0.0762	+/-0.127			
36.513	44.450	101.600		BP0365-0445-1016-BC9	
+/-0.0254	+0.051/+0.0762	+/-0.127			
<b>36.513 x 46.038 mm</b> (1.438 x 1.813 in.)					
36.513	46.038	76.200		BP0365-0460-0762-BC9	
+/-0.0254	+0.051/+0.0762	+/-0.127			
36.513	46.038	82.550		BP0365-0460-0826-BC9	
+/-0.0254	+0.051/+0.0762	+/-0.127			
36.513	46.038	88.900		BP0365-0460-0889-BC9	
+/-0.0254	+0.051/+0.0762	+/-0.127			
36.513	46.038	101.600		BP0365-0460-1016-BC9	
+/-0.0254	+0.051/+0.0762	+/-0.127			
36.513	46.038	107.950		BP0365-0460-1080-BC9	
+/-0.0254	+0.051/+0.0762	+/-0.127			
36.513	46.038	127.000		BP0365-0460-1270-BC9	
+/-0.0254	+0.051/+0.0762	+/-0.127			
<b>36.513 x 47.625 mm</b> (1.438 x 1.875 in.)					
36.513	47.625	76.200		BP0365-0476-0762-BC9	
+/-0.0254	+0.051/+0.0762	+/-0.127			
36.513	47.625	101.600		BP0365-0476-1016-BC9	
+/-0.0254	+0.051/+0.0762	+/-0.127			
36.513	47.625	114.300		BP0365-0476-1143-BC9	
+/-0.0254	+0.051/+0.0762	+/-0.127			
36.513	47.625	127.000		BP0365-0476-1270-BC9	
+/-0.0254	+0.051/+0.0762	+/-0.127			
<b>36.513 x 49.213 mm</b> (1.438 x 1.938 in.)					
36.513	49.213	50.800		BP0365-0492-0508-BC9	
+/-0.0254	+0.051/+0.0762	+/-0.127			
36.513	49.213	76.200		BP0365-0492-0762-BC9	
+/-0.0254	+0.051/+0.0762	+/-0.127			
36.513	49.213	88.900		BP0365-0492-0889-BC9	
+/-0.0254	+0.051/+0.0762	+/-0.127			
36.513	49.213	101.600		BP0365-0492-1016-BC9	
+/-0.0254	+0.051/+0.0762	+/-0.127			
36.513	49.213	114.300		BP0365-0492-1143-BC9	
+/-0.0254	+0.051/+0.0762	+/-0.127			
36.513	49.213	127.000		BP0365-0492-1270-BC9	
+/-0.0254	+0.051/+0.0762	+/-0.127			
36.513	49.213	139.700		BP0365-0492-1397-BC9	
+/-0.0254	+0.051/+0.0762	+/-0.127			
<b>36.513 x 50.800 mm</b> (1.438 x 2.000 in.)					
36.513	50.800	101.600		BP0365-0508-1016-BC9	
+/-0.0254	+0.051/+0.0762	+/-0.127			
<b>38.100 x 41.275 mm</b> (1.500 x 1.625 in.)					
38.100	41.275	50.800	FB1013	* BP0381-0413-0508-BC9	Special Order
+/-0.0254	+0.051/+0.0762	+/-0.127			
<b>38.100 x 42.863 mm</b> (1.500 x 1.688 in.)					
38.100	42.863	69.850		BP0381-0429-0699-BC9	
+/-0.0254	+0.051/+0.0762	+/-0.127			
<b>38.100 x 44.450 mm</b> (1.500 x 1.750 in.)					
38.100	44.450	25.400		BP0381-0445-0254-BC9	
+/-0.0254	+0.051/+0.0762	+/-0.127			



Stocked or Short Delivery



Usually Available



Long delivery or not in current production

\* Large Minimum Quantities

\*\* Available only while stock lasts

ID (d)	OD (D)	Length (s)	Ref.	MBA Part Number	Comments
<b>38.100 x 44.450 mm</b>		<i>(1.500 x 1.750 in.)</i>			
38.100	44.450	31.750		BP0381-0445-0318-BC9	
+/-0.0254	+0.051/+0.0762	+/-0.127			
38.100	44.450	38.100	FB996	* BP0381-0445-0381-BC9	Special Order
+/-0.0254	+0.051/+0.0762	+/-0.127			
38.100	44.450	44.445		<b>BP0381-0445-0444-BC9</b>	
+/-0.0254	+0.051/+0.0762	+/-0.127			
38.100	44.450	44.450		BP0381-0445-0445-BC9	
+/-0.0254	+0.051/+0.0762	+/-0.127			
38.100	44.450	50.800	FB998	* BP0381-0445-0508-BC9	Special Order
+/-0.0254	+0.051/+0.0762	+/-0.127			
38.100	44.450	57.150		BP0381-0445-0572-BC9	
+/-0.0254	+0.051/+0.0762	+/-0.127			
38.100	44.450	63.500	FB1014	* BP0381-0445-0635-BC9	Special Order
+/-0.0254	+0.051/+0.0762	+/-0.127			
38.100	44.450	76.200	FB1015	<b>BP0381-0445-0762-BC9</b>	
+/-0.0254	+0.051/+0.0762	+/-0.127			
38.100	44.450	88.900	FB1016	* BP0381-0445-0889-BC9	Special Order
+/-0.0254	+0.051/+0.0762	+/-0.127			
38.100	44.450	101.600	FB1017	* BP0381-0445-1016-BC9	Special Order
+/-0.0254	+0.051/+0.0762	+/-0.127			
38.100	44.450	114.300		BP0381-0445-1143-BC9	
+/-0.0254	+0.051/+0.0762	+/-0.127			
38.100	44.450	127.000		BP0381-0445-1270-BC9	
+/-0.0254	+0.051/+0.0762	+/-0.127			
38.100	44.450	139.700		BP0381-0445-1397-BC9	
+/-0.0254	+0.051/+0.0762	+/-0.127			
<b>38.100 x 46.038 mm</b>		<i>(1.500 x 1.813 in.)</i>			
38.100	46.038	76.200		BP0381-0460-0762-BC9	
+/-0.0254	+0.051/+0.0762	+/-0.127			
<b>38.100 x 47.625 mm</b>		<i>(1.500 x 1.875 in.)</i>			
38.100	47.625	38.100		BP0381-0476-0381-BC9	
+/-0.0254	+0.051/+0.0762	+/-0.127			
38.100	47.625	50.800		<b>BP0381-0476-0508-BC9</b>	
+/-0.0254	+0.051/+0.0762	+/-0.127			
38.100	47.625	63.500		BP0381-0476-0635-BC9	
+/-0.0254	+0.051/+0.0762	+/-0.127			
38.100	47.625	69.850		BP0381-0476-0699-BC9	
+/-0.0254	+0.051/+0.0762	+/-0.127			
38.100	47.625	76.200		BP0381-0476-0762-BC9	
+/-0.0254	+0.051/+0.0762	+/-0.127			
38.100	47.625	88.900		BP0381-0476-0889-BC9	
+/-0.0254	+0.051/+0.0762	+/-0.127			
38.100	47.625	101.600		BP0381-0476-1016-BC9	
+/-0.0254	+0.051/+0.0762	+/-0.127			
38.100	47.625	114.300		BP0381-0476-1143-BC9	
+/-0.0254	+0.051/+0.0762	+/-0.127			
38.100	47.625	127.000		BP0381-0476-1270-BC9	
+/-0.0254	+0.051/+0.0762	+/-0.127			
38.100	47.625	139.700		BP0381-0476-1397-BC9	
+/-0.0254	+0.051/+0.0762	+/-0.127			
<b>38.100 x 50.800 mm</b>		<i>(1.500 x 2.000 in.)</i>			
38.100	50.800	50.800		BP0381-0508-0508-BC9	
+/-0.0254	+0.051/+0.0762	+/-0.127			
38.100	50.800	63.500	FB1020	<b>BP0381-0508-0635-BC9</b>	
+/-0.0254	+0.051/+0.0762	+/-0.127			
38.100	50.800	76.200	FB1021	<b>BP0381-0508-0762-BC9</b>	
+/-0.0254	+0.051/+0.0762	+/-0.127			
38.100	50.800	88.900	FB1022	* BP0381-0508-0889-BC9	Special Order
+/-0.0254	+0.051/+0.0762	+/-0.127			
38.100	50.800	101.600	FB1023	<b>BP0381-0508-1016-BC9</b>	
+/-0.0254	+0.051/+0.0762	+/-0.127			
38.100	50.800	114.300		BP0381-0508-1143-BC9	
+/-0.0254	+0.051/+0.0762	+/-0.127			
38.100	50.800	127.000		BP0381-0508-1270-BC9	
+/-0.0254	+0.051/+0.0762	+/-0.127			



Stocked or Short Delivery



Usually Available



Long delivery or not in current production

\* Large Minimum Quantities

\*\* Available only while stock lasts

ID (d)	OD (D)	Length (s)	Ref.	MBA Part Number	Comments
<b>38.100 x 53.975 mm</b> (1.500 x 2.125 in.)					
38.100	53.975	76.200		BP0381-0540-0762-BC9	
+/-0.0254	+0.051/+0.0762	+/-0.127			
38.100	53.975	101.600		BP0381-0540-1016-BC9	
+/-0.0254	+0.051/+0.0762	+/-0.127			
<b>38.100 x 57.150 mm</b> (1.500 x 2.250 in.)					
38.100	57.150	76.200		<b>BP0381-0572-0762-BC9</b>	
+/-0.0254	+0.051/+0.0762	+/-0.127			
38.100	57.150	101.600		BP0381-0572-1016-BC9	
+/-0.0254	+0.051/+0.0762	+/-0.127			
38.100	57.150	127.000		BP0381-0572-1270-BC9	
+/-0.0254	+0.051/+0.0762	+/-0.127			
38.100	57.150	165.100		BP0381-0572-1651-BC9	
+/-0.0254	+0.051/+0.0762	+/-0.127			
<b>39.688 x 46.038 mm</b> (1.563 x 1.813 in.)					
39.688	46.038	76.200		BP0397-0460-0762-BC9	
+/-0.0254	+0.051/+0.0762	+/-0.127			
39.688	46.038	88.900		BP0397-0460-0889-BC9	
+/-0.0254	+0.051/+0.0762	+/-0.127			
39.688	46.038	101.600		BP0397-0460-1016-BC9	
+/-0.0254	+0.051/+0.0762	+/-0.127			
<b>39.688 x 49.213 mm</b> (1.563 x 1.938 in.)					
39.688	49.213	88.900		BP0397-0492-0889-BC9	
+/-0.0254	+0.051/+0.0762	+/-0.127			
39.688	49.213	114.300		BP0397-0492-1143-BC9	
+/-0.0254	+0.051/+0.0762	+/-0.127			
<b>40.000 x 45.000 mm</b> (1.575 x 1.772 in.)					
40.000	45.000	40.000		* BP0400-0450-0400-BC9	Special Order
+/-0.0254	+0.051/+0.0762	+/-0.127			
40.000	45.000	50.000		* BP0400-0450-0500-BC9	Special Order
+/-0.0254	+0.051/+0.0762	+/-0.127			
40.000	45.000	60.000		* BP0400-0450-0600-BC9	Special Order
+/-0.0254	+0.051/+0.0762	+/-0.127			
40.000	45.000	80.000		* BP0400-0450-0800-BC9	Special Order
+/-0.0254	+0.051/+0.0762	+/-0.127			
40.000	45.000	100.000		* BP0400-0450-1000-BC9	Special Order
+/-0.0254	+0.051/+0.0762	+/-0.127			
<b>40.000 x 50.000 mm</b> (1.575 x 1.969 in.)					
40.000	50.000	40.000		* BP0400-0500-0400-BC9	Special Order
+/-0.0254	+0.051/+0.0762	+/-0.127			
40.000	50.000	50.000		* BP0400-0500-0500-BC9	Special Order
+/-0.0254	+0.051/+0.0762	+/-0.127			
40.000	50.000	60.000		* BP0400-0500-0600-BC9	Special Order
+/-0.0254	+0.051/+0.0762	+/-0.127			
40.000	50.000	80.000		* BP0400-0500-0800-BC9	Special Order
+/-0.0254	+0.051/+0.0762	+/-0.127			
40.000	50.000	100.000		* BP0400-0500-1000-BC9	Special Order
+/-0.0254	+0.051/+0.0762	+/-0.127			
<b>41.275 x 47.625 mm</b> (1.625 x 1.875 in.)					
41.275	47.625	57.150		BP0413-0476-0572-BC9	
+/-0.0254	+0.051/+0.0762	+/-0.127			
41.275	47.625	76.200		BP0413-0476-0762-BC9	
+/-0.0254	+0.051/+0.0762	+/-0.127			
41.275	47.625	95.250		BP0413-0476-0953-BC9	
+/-0.0254	+0.051/+0.0762	+/-0.127			
<b>41.275 x 50.800 mm</b> (1.625 x 2.000 in.)					
41.275	50.800	44.450		BP0413-0508-0445-BC9	
+/-0.0254	+0.051/+0.0762	+/-0.127			
41.275	50.800	63.500		BP0413-0508-0635-BC9	
+/-0.0254	+0.051/+0.0762	+/-0.127			
41.275	50.800	76.200		BP0413-0508-0762-BC9	
+/-0.0254	+0.051/+0.0762	+/-0.127			
41.275	50.800	88.900		BP0413-0508-0889-BC9	
+/-0.0254	+0.051/+0.0762	+/-0.127			



Stocked or Short Delivery



Usually Available



Long delivery or not in current production

\* Large Minimum Quantities

\*\* Available only while stock lasts

ID (d)	OD (D)	Length (s)	Ref.	MBA Part Number	Comments
<b>41.275 x 50.800 mm</b> (1.625 x 2.000 in.)					
41.275 +/-0.0254	50.800 +0.051/+0.0762	101.600 +/-0.127		BP0413-0508-1016-BC9	
41.275 +/-0.0254	50.800 +0.051/+0.0762	114.300 +/-0.127		BP0413-0508-1143-BC9	
41.275 +/-0.0254	50.800 +0.051/+0.0762	127.000 +/-0.127		BP0413-0508-1270-BC9	
41.275 +/-0.0254	50.800 +0.051/+0.0762	139.700 +/-0.127		BP0413-0508-1397-BC9	
<b>41.275 x 53.975 mm</b> (1.625 x 2.125 in.)					
41.275 +/-0.0254	53.975 +0.051/+0.0762	76.200 +/-0.127		BP0413-0540-0762-BC9	
41.275 +/-0.0254	53.975 +0.051/+0.0762	101.600 +/-0.127		BP0413-0540-1016-BC9	
41.275 +/-0.0254	53.975 +0.051/+0.0762	114.300 +/-0.127		BP0413-0540-1143-BC9	
41.275 +/-0.0254	53.975 +0.051/+0.0762	127.000 +/-0.127		BP0413-0540-1270-BC9	
<b>42.863 x 49.213 mm</b> (1.688 x 1.938 in.)					
42.863 +/-0.0254	49.213 +0.051/+0.0762	76.200 +/-0.127		BP0429-0492-0762-BC9	
42.863 +/-0.0254	49.213 +0.051/+0.0762	88.900 +/-0.127		BP0429-0492-0889-BC9	
<b>42.863 x 50.800 mm</b> (1.688 x 2.000 in.)					
42.863 +/-0.0254	50.800 +0.051/+0.0762	88.900 +/-0.127		BP0429-0508-0889-BC9	
42.863 +/-0.0254	50.800 +0.051/+0.0762	114.300 +/-0.127		BP0429-0508-1143-BC9	
<b>42.863 x 52.388 mm</b> (1.688 x 2.063 in.)					
42.863 +/-0.0254	52.388 +0.051/+0.0762	76.200 +/-0.127		BP0429-0524-0762-BC9	
42.863 +/-0.0254	52.388 +0.051/+0.0762	88.900 +/-0.127		BP0429-0524-0889-BC9	
42.863 +/-0.0254	52.388 +0.051/+0.0762	101.600 +/-0.127		BP0429-0524-1016-BC9	
42.863 +/-0.0254	52.388 +0.051/+0.0762	114.300 +/-0.127		BP0429-0524-1143-BC9	
42.863 +/-0.0254	52.388 +0.051/+0.0762	127.000 +/-0.127		BP0429-0524-1270-BC9	
42.863 +/-0.0254	52.388 +0.051/+0.0762	139.700 +/-0.127		BP0429-0524-1397-BC9	
<b>42.863 x 55.563 mm</b> (1.688 x 2.188 in.)					
42.863 +/-0.0254	55.563 +0.051/+0.0762	50.800 +/-0.127		BP0429-0556-0508-BC9	
42.863 +/-0.0254	55.563 +0.051/+0.0762	63.500 +/-0.127		BP0429-0556-0635-BC9	
42.863 +/-0.0254	55.563 +0.051/+0.0762	76.200 +/-0.127		BP0429-0556-0762-BC9	
42.863 +/-0.0254	55.563 +0.051/+0.0762	88.900 +/-0.127		BP0429-0556-0889-BC9	
42.863 +/-0.0254	55.563 +0.051/+0.0762	101.600 +/-0.127		BP0429-0556-1016-BC9	
42.863 +/-0.0254	55.563 +0.051/+0.0762	114.300 +/-0.127		BP0429-0556-1143-BC9	
42.863 +/-0.0254	55.563 +0.051/+0.0762	139.700 +/-0.127		BP0429-0556-1397-BC9	
<b>42.863 x 57.150 mm</b> (1.688 x 2.250 in.)					
42.863 +/-0.0254	57.150 +0.051/+0.0762	76.200 +/-0.127		BP0429-0572-0762-BC9	
42.863 +/-0.0254	57.150 +0.051/+0.0762	114.300 +/-0.127		BP0429-0572-1143-BC9	
<b>44.450 x 50.800 mm</b> (1.750 x 2.000 in.)					
44.450 +/-0.0254	50.800 +0.051/+0.0762	38.100 +/-0.127		BP0445-0508-0381-BC9	



Stocked or Short Delivery



Usually Available



Long delivery or not in current production

\* Large Minimum Quantities

\*\* Available only while stock lasts

ID (d)	OD (D)	Length (s)	Ref.	MBA Part Number	Comments
<b>44.450 x 50.800 mm</b> (1.750 x 2.000 in.)					
44.450 +/-0.0254	50.800 +0.051/+0.0762	50.800 +/-0.127		BP0445-0508-0508-BC9	
44.450 +/-0.0254	50.800 +0.051/+0.0762	57.150 +/-0.127		BP0445-0508-0572-BC9	
44.450 +/-0.0254	50.800 +0.051/+0.0762	63.500 +/-0.127	FB1030	* BP0445-0508-0635-BC9	Special Order
44.450 +/-0.0254	50.800 +0.051/+0.0762	76.200 +/-0.127	FB1031	<b>BP0445-0508-0762-BC9</b>	
44.450 +/-0.0254	50.800 +0.051/+0.0762	88.900 +/-0.127	FB1032	* BP0445-0508-0889-BC9	Special Order
44.450 +/-0.0254	50.800 +0.051/+0.0762	101.600 +/-0.127	FB1033	* BP0445-0508-1016-BC9	Special Order
44.450 +/-0.0254	50.800 +0.051/+0.0762	114.300 +/-0.127		BP0445-0508-1143-BC9	
44.450 +/-0.0254	50.800 +0.051/+0.0762	133.350 +/-0.127		BP0445-0508-1334-BC9	
<b>44.450 x 52.388 mm</b> (1.750 x 2.063 in.)					
44.450 +/-0.0254	52.388 +0.051/+0.0762	88.900 +/-0.127		BP0445-0524-0889-BC9	
<b>44.450 x 53.975 mm</b> (1.750 x 2.125 in.)					
44.450 +/-0.0254	53.975 +0.051/+0.0762	63.500 +/-0.127		BP0445-0540-0635-BC9	
44.450 +/-0.0254	53.975 +0.051/+0.0762	69.850 +/-0.127		BP0445-0540-0699-BC9	
44.450 +/-0.0254	53.975 +0.051/+0.0762	82.550 +/-0.127		BP0445-0540-0826-BC9	
44.450 +/-0.0254	53.975 +0.051/+0.0762	88.900 +/-0.127		BP0445-0540-0889-BC9	
44.450 +/-0.0254	53.975 +0.051/+0.0762	101.600 +/-0.127	FB1018	* BP0445-0540-1016-BC9	Special Order
44.450 +/-0.0254	53.975 +0.051/+0.0762	107.950 +/-0.127		BP0445-0540-1080-BC9	
44.450 +/-0.0254	53.975 +0.051/+0.0762	127.000 +/-0.127		BP0445-0540-1270-BC9	
44.450 +/-0.0254	53.975 +0.051/+0.0762	139.700 +/-0.127		BP0445-0540-1397-BC9	
<b>44.450 x 57.150 mm</b> (1.750 x 2.250 in.)					
44.450 +/-0.0254	57.150 +0.051/+0.0762	44.450 +/-0.127		<b>BP0445-0572-0445-BC9</b>	
44.450 +/-0.0254	57.150 +0.051/+0.0762	50.800 +/-0.127		BP0445-0572-0508-BC9	
44.450 +/-0.0254	57.150 +0.051/+0.0762	57.150 +/-0.127	FB1036	* BP0445-0572-0572-BC9	Special Order
44.450 +/-0.0254	57.150 +0.051/+0.0762	63.500 +/-0.127		BP0445-0572-0635-BC9	
44.450 +/-0.0254	57.150 +0.051/+0.0762	76.200 +/-0.127	FB1037	* BP0445-0572-0762-BC9	Special Order
44.450 +/-0.0254	57.150 +0.051/+0.0762	88.900 +/-0.127	FB1038	* BP0445-0572-0889-BC9	Special Order
44.450 +/-0.0254	57.150 +0.051/+0.0762	101.600 +/-0.127		BP0445-0572-1016-BC9	
44.450 +/-0.0254	57.150 +0.051/+0.0762	107.950 +/-0.127		BP0445-0572-1080-BC9	
44.450 +/-0.0254	57.150 +0.051/+0.0762	127.000 +/-0.127		BP0445-0572-1270-BC9	
<b>44.450 x 60.325 mm</b> (1.750 x 2.375 in.)					
44.450 +/-0.0254	60.325 +0.051/+0.0762	88.900 +/-0.127		BP0445-0603-0889-BC9	
44.450 +/-0.0254	60.325 +0.051/+0.0762	114.300 +/-0.127		BP0445-0603-1143-BC9	
44.450 +/-0.0254	60.325 +0.051/+0.0762	127.000 +/-0.127		BP0445-0603-1270-BC9	
<b>44.450 x 63.500 mm</b> (1.750 x 2.500 in.)					
44.450 +/-0.0254	63.500 +0.051/+0.0762	101.600 +/-0.127	FB1039	* BP0445-0635-1016-BC9	Special Order



Stocked or Short Delivery



Usually Available



Long delivery or not in current production

\* Large Minimum Quantities

\*\* Available only while stock lasts

ID (d)	OD (D)	Length (s)	Ref.	MBA Part Number	Comments
<b>44.450 x 63.500 mm</b> (1.750 x 2.500 in.)					
44.450	63.500	165.100		BP0445-0635-1651-BC9	
+/-0.0254	+0.051/+0.0762	+/-0.127			
<b>45.000 x 55.000 mm</b> (1.772 x 2.165 in.)					
45.000	55.000	50.000	FB9190	* BP0450-0550-0500-BC9	Special Order
+/-0.0254	+0.051/+0.0762	+/-0.127			
45.000	55.000	60.000	FB9191	* BP0450-0550-0600-BC9	Special Order
+/-0.0254	+0.051/+0.0762	+/-0.127			
45.000	55.000	80.000	FB9192	* BP0450-0550-0800-BC9	Special Order
+/-0.0254	+0.051/+0.0762	+/-0.127			
45.000	55.000	100.000	FB9193	* BP0450-0550-1000-BC9	Special Order
+/-0.0254	+0.051/+0.0762	+/-0.127			
<b>46.038 x 55.563 mm</b> (1.813 x 2.188 in.)					
46.038	55.563	101.600		BP0460-0556-1016-BC9	
+/-0.0254	+0.051/+0.0762	+/-0.127			
46.038	55.563	133.350		BP0460-0556-1334-BC9	
+/-0.0254	+0.051/+0.0762	+/-0.127			
<b>46.038 x 58.738 mm</b> (1.813 x 2.313 in.)					
46.038	58.738	101.600		BP0460-0587-1016-BC9	
+/-0.0254	+0.051/+0.0762	+/-0.127			
46.038	58.738	127.000		BP0460-0587-1270-BC9	
+/-0.0254	+0.051/+0.0762	+/-0.127			
<b>47.625 x 53.975 mm</b> (1.875 x 2.125 in.)					
47.625	53.975	63.500		BP0476-0540-0635-BC9	
+/-0.0254	+0.051/+0.0762	+/-0.127			
47.625	53.975	76.200		BP0476-0540-0762-BC9	
+/-0.0254	+0.051/+0.0762	+/-0.127			
47.625	53.975	101.600		BP0476-0540-1016-BC9	
+/-0.0254	+0.051/+0.0762	+/-0.127			
<b>47.625 x 57.150 mm</b> (1.875 x 2.250 in.)					
47.625	57.150	76.200		BP0476-0572-0762-BC9	
+/-0.0254	+0.051/+0.0762	+/-0.127			
47.625	57.150	82.550		BP0476-0572-0826-BC9	
+/-0.0254	+0.051/+0.0762	+/-0.127			
47.625	57.150	101.600		BP0476-0572-1016-BC9	
+/-0.0254	+0.051/+0.0762	+/-0.127			
47.625	57.150	127.000		BP0476-0572-1270-BC9	
+/-0.0254	+0.051/+0.0762	+/-0.127			
<b>47.625 x 60.325 mm</b> (1.875 x 2.375 in.)					
47.625	60.325	76.200		BP0476-0603-0762-BC9	
+/-0.0254	+0.051/+0.0762	+/-0.127			
47.625	60.325	101.600		BP0476-0603-1016-BC9	
+/-0.0254	+0.051/+0.0762	+/-0.127			
47.625	60.325	133.350		BP0476-0603-1334-BC9	
+/-0.0254	+0.051/+0.0762	+/-0.127			
<b>49.213 x 55.563 mm</b> (1.938 x 2.188 in.)					
49.213	55.563	50.800		BP0492-0556-0508-BC9	
+/-0.0254	+0.051/+0.0762	+/-0.127			
49.213	55.563	76.200		BP0492-0556-0762-BC9	
+/-0.0254	+0.051/+0.0762	+/-0.127			
49.213	55.563	101.600		BP0492-0556-1016-BC9	
+/-0.0254	+0.051/+0.0762	+/-0.127			
<b>49.213 x 57.150 mm</b> (1.938 x 2.250 in.)					
49.213	57.150	76.200		BP0492-0572-0762-BC9	
+/-0.0254	+0.051/+0.0762	+/-0.127			
49.213	57.150	114.300		BP0492-0572-1143-BC9	
+/-0.0254	+0.051/+0.0762	+/-0.127			
<b>49.213 x 58.738 mm</b> (1.938 x 2.313 in.)					
49.213	58.738	88.900		BP0492-0587-0889-BC9	
+/-0.0254	+0.051/+0.0762	+/-0.127			
49.213	58.738	101.600		BP0492-0587-1016-BC9	
+/-0.0254	+0.051/+0.0762	+/-0.127			
49.213	58.738	127.000		BP0492-0587-1270-BC9	
+/-0.0254	+0.051/+0.0762	+/-0.127			



Stocked or Short Delivery



Usually Available



Long delivery or not in current production

\* Large Minimum Quantities

\*\* Available only while stock lasts

ID (d)	OD (D)	Length (s)	Ref.	MBA Part Number	Comments
<b>49.213 x 58.738 mm</b> (1.938 x 2.313 in.)					
49.213	58.738	139.700		BP0492-0587-1397-BC9	
+/-0.0254	+0.051/+0.0762	+/-0.127			
49.213	58.738	158.750		BP0492-0587-1588-BC9	
+/-0.0254	+0.051/+0.0762	+/-0.127			
<b>49.213 x 60.325 mm</b> (1.938 x 2.375 in.)					
49.213	60.325	76.200		BP0492-0603-0762-BC9	
+/-0.0254	+0.051/+0.0762	+/-0.127			
49.213	60.325	101.600		BP0492-0603-1016-BC9	
+/-0.0254	+0.051/+0.0762	+/-0.127			
49.213	60.325	139.700		BP0492-0603-1397-BC9	
+/-0.0254	+0.051/+0.0762	+/-0.127			
<b>49.213 x 61.913 mm</b> (1.938 x 2.438 in.)					
49.213	61.913	76.200		BP0492-0619-0762-BC9	
+/-0.0254	+0.051/+0.0762	+/-0.127			
49.213	61.913	101.600		BP0492-0619-1016-BC9	
+/-0.0254	+0.051/+0.0762	+/-0.127			
49.213	61.913	127.000		BP0492-0619-1270-BC9	
+/-0.0254	+0.051/+0.0762	+/-0.127			
49.213	61.913	139.700		BP0492-0619-1397-BC9	
+/-0.0254	+0.051/+0.0762	+/-0.127			
<b>49.213 x 63.500 mm</b> (1.938 x 2.500 in.)					
49.213	63.500	76.200		BP0492-0635-0762-BC9	
+/-0.0254	+0.051/+0.0762	+/-0.127			
49.213	63.500	127.000		BP0492-0635-1270-BC9	
+/-0.0254	+0.051/+0.0762	+/-0.127			
<b>50.000 x 60.000 mm</b> (1.969 x 2.362 in.)					
50.000	60.000	50.000	FB9210	* BP0500-0600-0500-BC9	Special Order
+/-0.0254	+0.051/+0.0762	+/-0.127			
50.000	60.000	60.000	FB9211	* BP0500-0600-0600-BC9	Special Order
+/-0.0254	+0.051/+0.0762	+/-0.127			
50.000	60.000	80.000	FB9212	* BP0500-0600-0800-BC9	Special Order
+/-0.0254	+0.051/+0.0762	+/-0.127			
50.000	60.000	100.000	FB9213	* BP0500-0600-1000-BC9	Special Order
+/-0.0254	+0.051/+0.0762	+/-0.127			
<b>50.800 x 57.150 mm</b> (2.000 x 2.250 in.)					
50.800	57.150	50.800		<b>BP0508-0572-0508-BC9</b>	
+/-0.0254	+0.051/+0.0762	+/-0.127			
50.800	57.150	63.500	FB1040	* BP0508-0572-0635-BC9	Special Order
+/-0.0254	+0.051/+0.0762	+/-0.127			
50.800	57.150	76.200	FB1041	* BP0508-0572-0762-BC9	Special Order
+/-0.0254	+0.051/+0.0762	+/-0.127			
50.800	57.150	88.900	FB1019	* BP0508-0572-0889-BC9	Special Order
+/-0.0254	+0.051/+0.0762	+/-0.127			
50.800	57.150	95.250		BP0508-0572-0953-BC9	
+/-0.0254	+0.051/+0.0762	+/-0.127			
50.800	57.150	101.600		BP0508-0572-1016-BC9	
+/-0.0254	+0.051/+0.0762	+/-0.127			
50.800	57.150	114.300		BP0508-0572-1143-BC9	
+/-0.0254	+0.051/+0.0762	+/-0.127			
50.800	57.150	127.000		BP0508-0572-1270-BC9	
+/-0.0254	+0.051/+0.0762	+/-0.127			
<b>50.800 x 60.325 mm</b> (2.000 x 2.375 in.)					
50.800	60.325	63.500		BP0508-0603-0635-BC9	
+/-0.0254	+0.051/+0.0762	+/-0.127			
50.800	60.325	76.200		<b>BP0508-0603-0762-BC9</b>	
+/-0.0254	+0.051/+0.0762	+/-0.127			
50.800	60.325	88.900		BP0508-0603-0889-BC9	
+/-0.0254	+0.051/+0.0762	+/-0.127			
50.800	60.325	101.600		BP0508-0603-1016-BC9	
+/-0.0254	+0.051/+0.0762	+/-0.127			
50.800	60.325	114.300		BP0508-0603-1143-BC9	
+/-0.0254	+0.051/+0.0762	+/-0.127			



Stocked or Short Delivery



Usually Available



Long delivery or not in current production

\* Large Minimum Quantities

\*\* Available only while stock lasts

ID (d)	OD (D)	Length (s)	Ref.	MBA Part Number	Comments
<b>50.800 x 63.500 mm</b> (2.000 x 2.500 in.)					
50.800 +/-0.0254	63.500 +0.051/+0.0762	50.800 +/-0.127		<b>BP0508-0635-0508-BC9</b>	
50.800 +/-0.0254	63.500 +0.051/+0.0762	63.500 +/-0.127	FB1050	* BP0508-0635-0635-BC9	Special Order
50.800 +/-0.0254	63.500 +0.051/+0.0762	76.200 +/-0.127	FB1051	<b>BP0508-0635-0762-BC9</b>	
50.800 +/-0.0254	63.500 +0.051/+0.0762	88.900 +/-0.127	FB1052	* BP0508-0635-0889-BC9	Special Order
50.800 +/-0.0254	63.500 +0.051/+0.0762	101.600 +/-0.127	FB1053	* BP0508-0635-1016-BC9	Special Order
50.800 +/-0.0254	63.500 +0.051/+0.0762	114.300 +/-0.127		BP0508-0635-1143-BC9	
50.800 +/-0.0254	63.500 +0.051/+0.0762	127.000 +/-0.127		BP0508-0635-1270-BC9	
50.800 +/-0.0254	63.500 +0.051/+0.0762	139.700 +/-0.127		BP0508-0635-1397-BC9	
50.800 +/-0.0254	63.500 +0.051/+0.0762	152.400 +/-0.127		BP0508-0635-1524-BC9	
<b>50.800 x 66.675 mm</b> (2.000 x 2.625 in.)					
50.800 +/-0.0254	66.675 +0.051/+0.0762	101.600 +/-0.127		BP0508-0667-1016-BC9	
<b>50.800 x 69.850 mm</b> (2.000 x 2.750 in.)					
50.800 +/-0.0254	69.850 +0.051/+0.0762	152.400 +/-0.127		BP0508-0699-1524-BC9	
50.800 +/-0.0254	69.850 +0.051/+0.0762	165.100 +/-0.127		BP0508-0699-1651-BC9	
<b>53.975 x 63.500 mm</b> (2.125 x 2.500 in.)					
53.975 +/-0.0254	63.500 +0.051/+0.0762	76.200 +/-0.127		BP0540-0635-0762-BC9	
53.975 +/-0.0254	63.500 +0.051/+0.0762	101.600 +/-0.127		BP0540-0635-1016-BC9	
<b>53.975 x 66.675 mm</b> (2.125 x 2.625 in.)					
53.975 +/-0.0254	66.675 +0.051/+0.0762	101.600 +/-0.127		BP0540-0667-1016-BC9	
53.975 +/-0.0254	66.675 +0.051/+0.0762	127.000 +/-0.127		BP0540-0667-1270-BC9	
53.975 +/-0.0254	66.675 +0.051/+0.0762	152.400 +/-0.127		BP0540-0667-1524-BC9	
<b>55.550 x 66.675 mm</b> (2.187 x 2.625 in.)					
55.550 +/-0.0254	66.675 +0.051/+0.0762	101.600 +/-0.127		BP0555-0667-1016-BC9	
55.550 +/-0.0254	66.675 +0.051/+0.0762	127.000 +/-0.127		BP0555-0667-1270-BC9	
<b>55.550 x 68.263 mm</b> (2.187 x 2.688 in.)					
55.550 +/-0.0254	68.263 +0.051/+0.0762	88.900 +/-0.127		BP0555-0683-0889-BC9	
55.550 +/-0.0254	68.263 +0.051/+0.0762	101.600 +/-0.127		BP0555-0683-1016-BC9	
55.550 +/-0.0254	68.263 +0.051/+0.0762	114.300 +/-0.127		BP0555-0683-1143-BC9	
55.550 +/-0.0254	68.263 +0.051/+0.0762	127.000 +/-0.127		BP0555-0683-1270-BC9	
<b>55.550 x 69.850 mm</b> (2.187 x 2.750 in.)					
55.550 +/-0.0254	69.850 +0.051/+0.0762	114.300 +/-0.127		BP0555-0699-1143-BC9	
55.550 +/-0.0254	69.850 +0.051/+0.0762	133.350 +/-0.127		BP0555-0699-1334-BC9	
55.550 +/-0.0254	69.850 +0.051/+0.0762	152.400 +/-0.127		BP0555-0699-1524-BC9	
<b>55.550 x 73.025 mm</b> (2.187 x 2.875 in.)					
55.550 +/-0.0254	73.025 +0.051/+0.0762	114.300 +/-0.127		BP0555-0730-1143-BC9	



Stocked or Short Delivery



Usually Available



Long delivery or not in current production

\* Large Minimum Quantities

\*\* Available only while stock lasts



ID (d)	OD (D)	Length (s)	Ref.	MBA Part Number	Comments
<b>57.150 x 63.500 mm</b> (2.250 x 2.500 in.)					
57.150	63.500	76.200		BP0572-0635-0762-BC9	
+/-0.0254	+0.051/+0.0762	+/-0.127			
57.150	63.500	88.900		BP0572-0635-0889-BC9	
+/-0.0254	+0.051/+0.0762	+/-0.127			
57.150	63.500	101.600		BP0572-0635-1016-BC9	
+/-0.0254	+0.051/+0.0762	+/-0.127			
<b>57.150 x 66.675 mm</b> (2.250 x 2.625 in.)					
57.150	66.675	76.200		BP0572-0667-0762-BC9	
+/-0.0254	+0.051/+0.0762	+/-0.127			
57.150	66.675	101.600		BP0572-0667-1016-BC9	
+/-0.0254	+0.051/+0.0762	+/-0.127			
57.150	66.675	127.000		BP0572-0667-1270-BC9	
+/-0.0254	+0.051/+0.0762	+/-0.127			
<b>57.150 x 68.263 mm</b> (2.250 x 2.688 in.)					
57.150	68.263	120.650		BP0572-0683-1207-BC9	
+/-0.0254	+0.051/+0.0762	+/-0.127			
<b>57.150 x 69.850 mm</b> (2.250 x 2.750 in.)					
57.150	69.850	63.500	FB1060	* BP0572-0699-0635-BC9	Special Order
+/-0.0254	+0.051/+0.0762	+/-0.127			
57.150	69.850	76.200	FB1061	* BP0572-0699-0762-BC9	Special Order
+/-0.0254	+0.051/+0.0762	+/-0.127			
57.150	69.850	88.900	FB1062	* BP0572-0699-0889-BC9	Special Order
+/-0.0254	+0.051/+0.0762	+/-0.127			
57.150	69.850	101.600	FB1063	* BP0572-0699-1016-BC9	Special Order
+/-0.0254	+0.051/+0.0762	+/-0.127			
57.150	69.850	114.300		BP0572-0699-1143-BC9	
+/-0.0254	+0.051/+0.0762	+/-0.127			
57.150	69.850	127.000		BP0572-0699-1270-BC9	
+/-0.0254	+0.051/+0.0762	+/-0.127			
57.150	69.850	152.400		BP0572-0699-1524-BC9	
+/-0.0254	+0.051/+0.0762	+/-0.127			
57.150	69.850	165.100		BP0572-0699-1651-BC9	
+/-0.0254	+0.051/+0.0762	+/-0.127			
<b>57.150 x 76.200 mm</b> (2.250 x 3.000 in.)					
57.150	76.200	88.900		BP0572-0762-0889-BC9	
+/-0.0254	+0.051/+0.0762	+/-0.127			
57.150	76.200	127.000		BP0572-0762-1270-BC9	
+/-0.0254	+0.051/+0.0762	+/-0.127			
<b>57.150 x 79.375 mm</b> (2.250 x 3.125 in.)					
57.150	79.375	165.100		BP0572-0794-1651-BC9	
+/-0.0254	+0.0762/+0.127	+/-0.127			
<b>60.325 x 69.850 mm</b> (2.375 x 2.750 in.)					
60.325	69.850	101.600		BP0603-0699-1016-BC9	
+/-0.0254	+0.051/+0.0762	+/-0.127			
60.325	69.850	127.000		BP0603-0699-1270-BC9	
+/-0.0254	+0.051/+0.0762	+/-0.127			
60.325	69.850	152.400		BP0603-0699-1524-BC9	
+/-0.0254	+0.051/+0.0762	+/-0.127			
<b>60.325 x 73.025 mm</b> (2.375 x 2.875 in.)					
60.325	73.025	101.600		BP0603-0730-1016-BC9	
+/-0.0254	+0.051/+0.0762	+/-0.127			
60.325	73.025	127.000		BP0603-0730-1270-BC9	
+/-0.0254	+0.051/+0.0762	+/-0.127			
60.325	73.025	152.400		BP0603-0730-1524-BC9	
+/-0.0254	+0.051/+0.0762	+/-0.127			
<b>61.913 x 69.850 mm</b> (2.438 x 2.750 in.)					
61.913	69.850	101.600		BP0619-0699-1016-BC9	
+/-0.0254	+0.051/+0.0762	+/-0.127			
61.913	69.850	127.000		BP0619-0699-1270-BC9	
+/-0.0254	+0.051/+0.0762	+/-0.127			
<b>61.913 x 73.025 mm</b> (2.438 x 2.875 in.)					
61.913	73.025	76.200		BP0619-0730-0762-BC9	
+/-0.0254	+0.051/+0.0762	+/-0.127			



Stocked or Short Delivery



Usually Available



Long delivery or not in current production

\* Large Minimum Quantities

\*\* Available only while stock lasts

ID (d)	OD (D)	Length (s)	Ref.	MBA Part Number	Comments
<b>61.913 x 73.025 mm</b> (2.438 x 2.875 in.)					
61.913	73.025	127.000		BP0619-0730-1270-BC9	
+/-0.0254	+0.051/+0.0762	+/-0.127			
<b>61.913 x 74.613 mm</b> (2.438 x 2.938 in.)					
61.913	74.613	101.600		BP0619-0746-1016-BC9	
+/-0.0254	+0.051/+0.0762	+/-0.127			
61.913	74.613	127.000		BP0619-0746-1270-BC9	
+/-0.0254	+0.051/+0.0762	+/-0.127			
61.913	74.613	158.750		BP0619-0746-1588-BC9	
+/-0.0254	+0.051/+0.0762	+/-0.127			
<b>61.913 x 76.200 mm</b> (2.438 x 3.000 in.)					
61.913	76.200	95.250		BP0619-0762-0953-BC9	
+/-0.0254	+0.051/+0.0762	+/-0.127			
61.913	76.200	127.000		BP0619-0762-1270-BC9	
+/-0.0254	+0.051/+0.0762	+/-0.127			
61.913	76.200	158.750		BP0619-0762-1588-BC9	
+/-0.0254	+0.051/+0.0762	+/-0.127			
<b>63.500 x 69.850 mm</b> (2.500 x 2.750 in.)					
63.500	69.850	76.200		BP0635-0699-0762-BC9	
+/-0.0254	+0.051/+0.0762	+/-0.127			
63.500	69.850	101.600		BP0635-0699-1016-BC9	
+/-0.0254	+0.051/+0.0762	+/-0.127			
63.500	69.850	127.000		BP0635-0699-1270-BC9	
+/-0.0254	+0.051/+0.0762	+/-0.127			
<b>63.500 x 73.025 mm</b> (2.500 x 2.875 in.)					
63.500	73.025	82.550		BP0635-0730-0826-BC9	
+/-0.0254	+0.051/+0.0762	+/-0.127			
63.500	73.025	114.300		BP0635-0730-1143-BC9	
+/-0.0254	+0.051/+0.0762	+/-0.127			
<b>63.500 x 76.200 mm</b> (2.500 x 3.000 in.)					
63.500	76.200	63.500	FB1070	* BP0635-0762-0635-BC9	Special Order
+/-0.0254	+0.051/+0.0762	+/-0.127			
63.500	76.200	76.200	FB1071	* BP0635-0762-0762-BC9	Special Order
+/-0.0254	+0.051/+0.0762	+/-0.127			
63.500	76.200	88.900	FB1072	* BP0635-0762-0889-BC9	Special Order
+/-0.0254	+0.051/+0.0762	+/-0.127			
63.500	76.200	95.250		BP0635-0762-0953-BC9	
+/-0.0254	+0.051/+0.0762	+/-0.127			
63.500	76.200	101.600	FB1073	* BP0635-0762-1016-BC9	Special Order
+/-0.0254	+0.051/+0.0762	+/-0.127			
63.500	76.200	127.000		<b>BP0635-0762-1270-BC9</b>	
+/-0.0254	+0.051/+0.0762	+/-0.127			
63.500	76.200	152.400		BP0635-0762-1524-BC9	
+/-0.0254	+0.051/+0.0762	+/-0.127			
63.500	76.200	177.800		BP0635-0762-1778-BC9	
+/-0.0254	+0.051/+0.0762	+/-0.127			
<b>63.500 x 79.375 mm</b> (2.500 x 3.125 in.)					
63.500	79.375	88.900		BP0635-0794-0889-BC9	
+/-0.0254	+0.0762/+0.127	+/-0.127			
63.500	79.375	101.600		BP0635-0794-1016-BC9	
+/-0.0254	+0.0762/+0.127	+/-0.127			
63.500	79.375	114.300		BP0635-0794-1143-BC9	
+/-0.0254	+0.0762/+0.127	+/-0.127			
63.500	79.375	171.450		BP0635-0794-1715-BC9	
+/-0.0254	+0.0762/+0.127	+/-0.127			
<b>63.500 x 82.550 mm</b> (2.500 x 3.250 in.)					
63.500	82.550	101.600		BP0635-0826-1016-BC9	
+/-0.0254	+0.0762/+0.127	+/-0.127			
63.500	82.550	127.000		BP0635-0826-1270-BC9	
+/-0.0254	+0.0762/+0.127	+/-0.127			
63.500	82.550	152.400		BP0635-0826-1524-BC9	
+/-0.0254	+0.0762/+0.127	+/-0.127			
63.500	82.550	184.150		BP0635-0826-1842-BC9	
+/-0.0254	+0.0762/+0.127	+/-0.127			



Stocked or Short Delivery



Usually Available



Long delivery or not in current production

\* Large Minimum Quantities

\*\* Available only while stock lasts

ID (d)	OD (D)	Length (s)	Ref.	MBA Part Number	Comments
<b>63.500 x 88.900 mm</b> (2.500 x 3.500 in.)					
63.500	88.900	165.100		BP0635-0889-1651-BC9	
+/-0.0254	+0.0762/+0.127	+/-0.127			
<b>66.675 x 76.200 mm</b> (2.625 x 3.000 in.)					
66.675	76.200	76.200		BP0667-0762-0762-BC9	
+/-0.0254	+0.051/+0.0762	+/-0.127			
66.675	76.200	101.600		BP0667-0762-1016-BC9	
+/-0.0254	+0.051/+0.0762	+/-0.127			
66.675	76.200	127.000		BP0667-0762-1270-BC9	
+/-0.0254	+0.051/+0.0762	+/-0.127			
<b>66.675 x 79.375 mm</b> (2.625 x 3.125 in.)					
66.675	79.375	127.000		BP0667-0794-1270-BC9	
+/-0.0254	+0.0762/+0.127	+/-0.127			
66.675	79.375	152.400		BP0667-0794-1524-BC9	
+/-0.0254	+0.0762/+0.127	+/-0.127			
66.675	79.375	184.150		BP0667-0794-1842-BC9	
+/-0.0254	+0.0762/+0.127	+/-0.127			
<b>66.675 x 82.550 mm</b> (2.625 x 3.250 in.)					
66.675	82.550	177.800		BP0667-0826-1778-BC9	
+/-0.0254	+0.0762/+0.127	+/-0.127			
<b>66.675 x 85.725 mm</b> (2.625 x 3.375 in.)					
66.675	85.725	165.100		BP0667-0857-1651-BC9	
+/-0.0254	+0.0762/+0.127	+/-0.127			
<b>68.263 x 80.963 mm</b> (2.688 x 3.188 in.)					
68.263	80.963	101.600		BP0683-0810-1016-BC9	
+/-0.0254	+0.0762/+0.127	+/-0.127			
68.263	80.963	127.000		BP0683-0810-1270-BC9	
+/-0.0254	+0.0762/+0.127	+/-0.127			
68.263	80.963	158.750		BP0683-0810-1588-BC9	
+/-0.0254	+0.0762/+0.127	+/-0.127			
<b>69.850 x 79.375 mm</b> (2.750 x 3.125 in.)					
69.850	79.375	101.600		BP0699-0794-1016-BC9	
+/-0.0254	+0.0762/+0.127	+/-0.127			
69.850	79.375	127.000		BP0699-0794-1270-BC9	
+/-0.0254	+0.0762/+0.127	+/-0.127			
69.850	79.375	152.400		BP0699-0794-1524-BC9	
+/-0.0254	+0.0762/+0.127	+/-0.127			
<b>69.850 x 82.550 mm</b> (2.750 x 3.250 in.)					
69.850	82.550	101.600		BP0699-0826-1016-BC9	
+/-0.0254	+0.0762/+0.127	+/-0.127			
69.850	82.550	127.000		BP0699-0826-1270-BC9	
+/-0.0254	+0.0762/+0.127	+/-0.127			
69.850	82.550	152.400		BP0699-0826-1524-BC9	
+/-0.0254	+0.0762/+0.127	+/-0.127			
69.850	82.550	177.800		BP0699-0826-1778-BC9	
+/-0.0254	+0.0762/+0.127	+/-0.127			
<b>69.850 x 85.725 mm</b> (2.750 x 3.375 in.)					
69.850	85.725	101.600		BP0699-0857-1016-BC9	
+/-0.0254	+0.0762/+0.127	+/-0.127			
69.850	85.725	165.100		BP0699-0857-1651-BC9	
+/-0.0254	+0.0762/+0.127	+/-0.127			
<b>69.850 x 88.900 mm</b> (2.750 x 3.500 in.)					
69.850	88.900	165.100		BP0699-0889-1651-BC9	
+/-0.0254	+0.0762/+0.127	+/-0.127			
<b>73.025 x 85.725 mm</b> (2.875 x 3.375 in.)					
73.025	85.725	101.600		BP0730-0857-1016-BC9	
+/-0.0254	+0.0762/+0.127	+/-0.127			
73.025	85.725	152.400		BP0730-0857-1524-BC9	
+/-0.0254	+0.0762/+0.127	+/-0.127			
73.025	85.725	203.200		BP0730-0857-2032-BC9	
+/-0.0254	+0.0762/+0.127	+/-0.127			



Stocked or Short Delivery



Usually Available



Long delivery or not in current production

\* Large Minimum Quantities

\*\* Available only while stock lasts

ID (d)	OD (D)	Length (s)	Ref.	MBA Part Number	Comments
<b>73.025 x 88.900 mm</b> (2.875 x 3.500 in.)					
73.025	88.900	114.300		BP0730-0889-1143-BC9	
+/-0.0254	+0.0762/+0.127	+/-0.127			
73.025	88.900	171.450		BP0730-0889-1715-BC9	
+/-0.0254	+0.0762/+0.127	+/-0.127			
<b>74.613 x 87.313 mm</b> (2.938 x 3.438 in.)					
74.613	87.313	88.900		BP0746-0873-0889-BC9	
+/-0.0254	+0.0762/+0.127	+/-0.127			
74.613	87.313	127.000		BP0746-0873-1270-BC9	
+/-0.0254	+0.0762/+0.127	+/-0.127			
74.613	87.313	165.100		BP0746-0873-1651-BC9	
+/-0.0254	+0.0762/+0.127	+/-0.127			
<b>76.200 x 85.725 mm</b> (3.000 x 3.375 in.)					
76.200	85.725	114.300		BP0762-0857-1143-BC9	
+/-0.0254	+0.0762/+0.127	+/-0.127			
76.200	85.725	203.200		BP0762-0857-2032-BC9	
+/-0.0254	+0.0762/+0.127	+/-0.127			
<b>76.200 x 88.900 mm</b> (3.000 x 3.500 in.)					
76.200	88.900	76.200		BP0762-0889-0762-BC9	
+/-0.0254	+0.0762/+0.127	+/-0.127			
76.200	88.900	101.600		<b>BP0762-0889-1016-BC9</b>	
+/-0.0254	+0.0762/+0.127	+/-0.127			
76.200	88.900	114.300		BP0762-0889-1143-BC9	
+/-0.0254	+0.0762/+0.127	+/-0.127			
76.200	88.900	139.700		BP0762-0889-1397-BC9	
+/-0.0254	+0.0762/+0.127	+/-0.127			
76.200	88.900	152.400		BP0762-0889-1524-BC9	
+/-0.0254	+0.0762/+0.127	+/-0.127			
76.200	88.900	228.600		BP0762-0889-2286-BC9	
+/-0.0254	+0.0762/+0.127	+/-0.127			
<b>76.200 x 92.075 mm</b> (3.000 x 3.625 in.)					
76.200	92.075	127.000		BP0762-0921-1270-BC9	
+/-0.0254	+0.0762/+0.127	+/-0.127			
76.200	92.075	165.100		BP0762-0921-1651-BC9	
+/-0.0254	+0.0762/+0.127	+/-0.127			
76.200	92.075	203.200		BP0762-0921-2032-BC9	
+/-0.0254	+0.0762/+0.127	+/-0.127			
<b>76.200 x 95.250 mm</b> (3.000 x 3.750 in.)					
76.200	95.250	158.750		BP0762-0953-1588-BC9	
+/-0.0254	+0.0762/+0.127	+/-0.127			
<b>76.200 x 101.600 mm</b> (3.000 x 4.000 in.)					
76.200	101.600	165.100		BP0762-1016-1651-BC9	
+/-0.0254	+0.0762/+0.127	+/-0.127			
<b>82.550 x 88.900 mm</b> (3.250 x 3.500 in.)					
82.550	88.900	101.600		BP0826-0889-1016-BC9	
+/-0.0381	+0.0762/+0.127	+/-0.127			
<b>82.550 x 95.250 mm</b> (3.250 x 3.750 in.)					
82.550	95.250	127.000		BP0826-0953-1270-BC9	
+/-0.0381	+0.0762/+0.127	+/-0.127			
82.550	95.250	152.400		BP0826-0953-1524-BC9	
+/-0.0381	+0.0762/+0.127	+/-0.127			
82.550	95.250	228.600		BP0826-0953-2286-BC9	
+/-0.0381	+0.0762/+0.127	+/-0.127			
<b>87.313 x 100.013 mm</b> (3.438 x 3.938 in.)					
87.313	100.013	114.300		BP0873-1000-1143-BC9	
+/-0.0381	+0.0762/+0.127	+/-0.127			
87.313	100.013	165.100		BP0873-1000-1651-BC9	
+/-0.0381	+0.0762/+0.127	+/-0.127			
<b>88.900 x 101.600 mm</b> (3.500 x 4.000 in.)					
88.900	101.600	101.600		BP0889-1016-1016-BC9	
+/-0.0381	+0.0762/+0.127	+/-0.127			
88.900	101.600	139.700		BP0889-1016-1397-BC9	
+/-0.0381	+0.0762/+0.127	+/-0.127			



Stocked or Short Delivery



Usually Available



Long delivery or not in current production

\* Large Minimum Quantities

\*\* Available only while stock lasts

ID (d)	OD (D)	Length (s)	Ref.	MBA Part Number	Comments
<b>88.900 x 101.600 mm</b> (3.500 x 4.000 in.)					
88.900	101.600	152.400		BP0889-1016-1524-BC9	
+/-0.0381	+0.0762/+0.127	+/-0.127			
88.900	101.600	177.800		BP0889-1016-1778-BC9	
+/-0.0381	+0.0762/+0.127	+/-0.127			
<b>88.900 x 104.775 mm</b> (3.500 x 4.125 in.)					
88.900	104.775	152.400		BP0889-1048-1524-BC9	
+/-0.0381	+0.0762/+0.127	+/-0.127			
<b>88.900 x 107.950 mm</b> (3.500 x 4.250 in.)					
88.900	107.950	114.300		BP0889-1080-1143-BC9	
+/-0.0381	+0.0762/+0.127	+/-0.127			
88.900	107.950	177.800		BP0889-1080-1778-BC9	
+/-0.0381	+0.0762/+0.127	+/-0.127			
88.900	107.950	247.650		BP0889-1080-2477-BC9	
+/-0.0381	+0.0762/+0.127	+/-0.127			
<b>95.250 x 107.950 mm</b> (3.750 x 4.250 in.)					
95.250	107.950	127.000		BP0953-1080-1270-BC9	
+/-0.0381	+0.0762/+0.127	+/-0.127			
95.250	107.950	177.800		BP0953-1080-1778-BC9	
+/-0.0381	+0.0762/+0.127	+/-0.127			
<b>95.250 x 114.300 mm</b> (3.750 x 4.500 in.)					
95.250	114.300	165.100		BP0953-1143-1651-BC9	
+/-0.0381	+0.0762/+0.127	+/-0.127			
<b>101.600 x 114.300 mm</b> (4.000 x 4.500 in.)					
101.600	114.300	101.600		BP1016-1143-1016-BC9	
+/-0.0381	+0.0762/+0.127	+/-0.127			
101.600	114.300	152.400		BP1016-1143-1524-BC9	
+/-0.0381	+0.0762/+0.127	+/-0.127			
101.600	114.300	177.800		BP1016-1143-1778-BC9	
+/-0.0381	+0.0762/+0.127	+/-0.127			
<b>101.600 x 120.650 mm</b> (4.000 x 4.750 in.)					
101.600	120.650	127.000		BP1016-1207-1270-BC9	
+/-0.0381	+0.0762/+0.127	+/-0.127			
101.600	120.650	152.400		BP1016-1207-1524-BC9	
+/-0.0381	+0.0762/+0.127	+/-0.127			
101.600	120.650	177.800		BP1016-1207-1778-BC9	
+/-0.0381	+0.0762/+0.127	+/-0.127			
<b>101.600 x 127.000 mm</b> (4.000 x 5.000 in.)					
101.600	127.000	127.000		BP1016-1270-1270-BC9	
+/-0.0381	+0.0762/+0.127	+/-0.127			
101.600	127.000	152.400		BP1016-1270-1524-BC9	
+/-0.0381	+0.0762/+0.127	+/-0.127			
101.600	127.000	177.800		BP1016-1270-1778-BC9	
+/-0.0381	+0.0762/+0.127	+/-0.127			
<b>107.950 x 120.650 mm</b> (4.250 x 4.750 in.)					
107.950	120.650	127.000		BP1080-1207-1270-BC9	
+/-0.0381	+0.0762/+0.127	+/-0.127			
107.950	120.650	152.400		BP1080-1207-1524-BC9	
+/-0.0381	+0.0762/+0.127	+/-0.127			
107.950	120.650	177.800		BP1080-1207-1778-BC9	
+/-0.0381	+0.0762/+0.127	+/-0.127			
<b>107.950 x 127.000 mm</b> (4.250 x 5.000 in.)					
107.950	127.000	127.000		BP1080-1270-1270-BC9	
+/-0.0381	+0.0762/+0.127	+/-0.127			
107.950	127.000	152.400		BP1080-1270-1524-BC9	
+/-0.0381	+0.0762/+0.127	+/-0.127			
107.950	127.000	177.800		BP1080-1270-1778-BC9	
+/-0.0381	+0.0762/+0.127	+/-0.127			
<b>114.300 x 127.000 mm</b> (4.500 x 5.000 in.)					
114.300	127.000	152.400		BP1143-1270-1524-BC9	
+/-0.0381	+0.0762/+0.127	+/-0.127			
114.300	127.000	177.800		BP1143-1270-1778-BC9	
+/-0.0381	+0.0762/+0.127	+/-0.127			



Stocked or Short Delivery



Usually Available



Long delivery or not in current production

\* Large Minimum Quantities

\*\* Available only while stock lasts

ID (d)	OD (D)	Length (s)	Ref.	MBA Part Number	Comments
<b>114.300 x 127.000 mm</b> (4.500 x 5.000 in.)					
114.300	127.000	203.200		BP1143-1270-2032-BC9	
+/-0.0381	+0.0762/+0.127	+/-0.127			
<b>114.300 x 139.700 mm</b> (4.500 x 5.500 in.)					
114.300	139.700	152.400		BP1143-1397-1524-BC9	
+/-0.0381	+0.0762/+0.127	+/-0.127			
114.300	139.700	177.800		BP1143-1397-1778-BC9	
+/-0.0381	+0.0762/+0.127	+/-0.127			
114.300	139.700	203.200		BP1143-1397-2032-BC9	
+/-0.0381	+0.0762/+0.127	+/-0.127			
<b>127.000 x 139.700 mm</b> (5.000 x 5.500 in.)					
127.000	139.700	152.400		BP1270-1397-1524-BC9	
+/-0.0381	+0.0762/+0.127	+/-0.127			
127.000	139.700	177.800		BP1270-1397-1778-BC9	
+/-0.0381	+0.0762/+0.127	+/-0.127			
127.000	139.700	203.200		BP1270-1397-2032-BC9	
+/-0.0381	+0.0762/+0.127	+/-0.127			
<b>127.000 x 152.400 mm</b> (5.000 x 6.000 in.)					
127.000	152.400	177.800		BP1270-1524-1778-BC9	
+/-0.0381	+0.0762/+0.127	+/-0.127			
127.000	152.400	203.200		BP1270-1524-2032-BC9	
+/-0.0381	+0.0762/+0.127	+/-0.127			
127.000	152.400	228.600		BP1270-1524-2286-BC9	
+/-0.0381	+0.0762/+0.127	+/-0.127			



Stocked or Short Delivery



Usually Available



Long delivery or not in current production

\* Large Minimum Quantities

\*\* Available only while stock lasts

## TIPS

The sizes shown for solid bronze bushes are nominal sizes. Refer to the tolerances listed below each size.

Solid bronze bushes are not self lubricating. For self lubricating bronze bushes please refer to our main bushes catalogue for Sintered Bronze.

Solid bronze has a uniform colour. Sintered bronze has a speckled textured appearance.

For information about measuring small parts please refer to our online PDF article...

<https://www.minibearings.com.au/catalogue/info/Measuring%20Miniature%20Bearings.pdf>

In comparison with ball bearings, solid bronze has a relatively high load carrying capacity but a much lower speed capability.

General running clearance between the shaft and the bearing bore should be at least Shaft Diameter x 0.001.

C93200 is a semi-hard material resistant to wear and sea water. Suitable for bushes and wear plates.

LG2 works well with moderate loads, resistant to wear and sea water, good machinability and weldable with brass or soft solder.









## Distributed By

Miniature Bearings Australia  
<http://www.minibearings.com.au>  
[sales@minibearings.com.au](mailto:sales@minibearings.com.au)

Resellers: Please place your contact sticker over our details

## Avoid verbal communication

We sell an extensive range of products with varying amounts of technical data. Please assist us to provide you with accurate information by placing your orders and enquiries online or by e-mail.

# Solid Bronze Bushes